

# dimension



**LUDLUM MODEL 9DP and 9DP\*  
PRESSURIZED ION CHAMBER  
OPERATOR'S MANUAL**

---

**LUDLUM MODEL 9DP and 9DP\*  
PRESSURIZED ION CHAMBER  
OPERATOR'S MANUAL**

**December 2023**

**Serial Number 25002500 and Succeeding**

**Firmware: 29307.4.1.2**

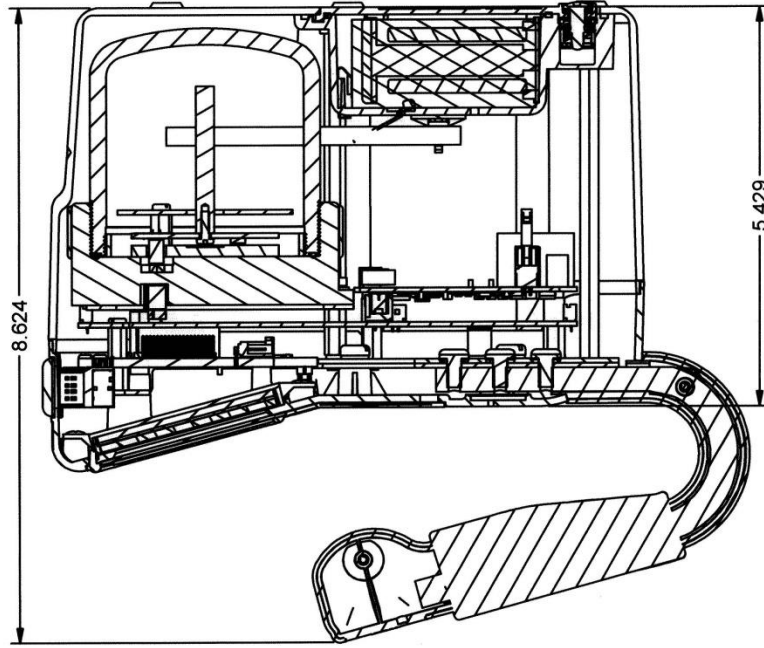
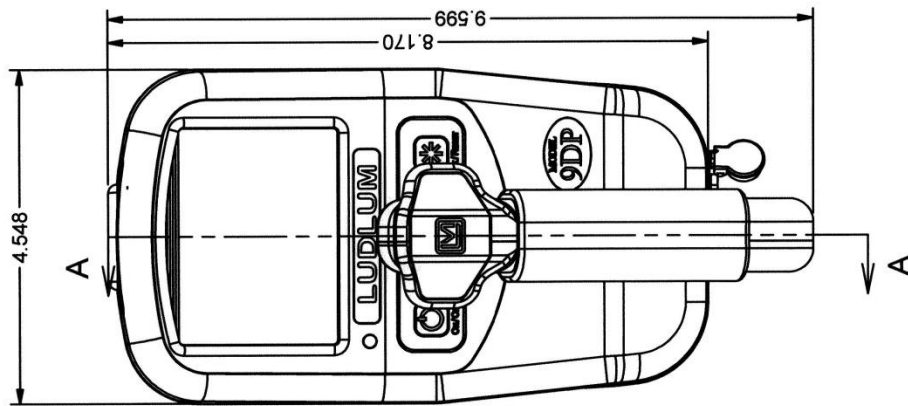


**LUDLUM MEASUREMENTS, INC**  
501 OAK STREET, P.O. BOX 810  
SWEETWATER, TEXAS 79556  
325-235-5494, FAX: 325-235-4672

---



REVISION HISTORY			
REV	DESCRIPTION	DATE	BY
4	ADD NOTES	5/26/2015	SM
5	ADD NOTES	1/25/2017	RCM
6	ECF #4777	5/15/2017	WJM
7	ECF #5181	3/5/19	WJM
8	ECF# 4454	10/9/20	CMC
9	ECF# 6183	2/14/2022	CMC



SECTION A-A  
SCALE 1 / 2

OWN DATE	CHK	DATE	APP	DATE
CMC 2/14/22			3-14-22	
DWG NUM: 4293-870		SCALE: 1/2		
TITLE M 9DP W/O ACCESSORIES		SHEET 870		
LUDLUM MEASUREMENTS, INC.		SERIES 293		
SWEETWATER, TEXAS 79686				

## STATEMENT OF WARRANTY

Ludlum Measurements, Inc. warrants the products covered in this manual to be free of defects due to workmanship, material, and design for a period of twelve months from the date of delivery. The calibration of a product is warranted to be within its specified accuracy limits at the time of shipment. In the event of instrument failure, notify Ludlum Measurements to determine if repair, recalibration, or replacement is required.

This warranty excludes the replacement of photomultiplier tubes, G-M and proportional tubes, and scintillation crystals which are broken due to excessive physical abuse or used for purposes other than intended.

There are no warranties, express or implied, including without limitation any implied warranty of merchantability or fitness, which extend beyond the description of the face there of. If the product does not perform as warranted herein, purchaser's sole remedy shall be repair or replacement, at the option of Ludlum Measurements. In no event will Ludlum Measurements be liable for damages, lost revenue, lost wages, or any other incidental or consequential damages, arising from the purchase, use, or inability to use product.

## RETURN OF GOODS TO MANUFACTURER

If equipment needs to be returned to Ludlum Measurements, Inc. for repair or calibration, please send to the address below. All shipments should include documentation containing return shipping address, customer name, telephone number, description of service requested, and all other necessary information. Your cooperation will expedite the return of your equipment.

**LUDLUM MEASUREMENTS, INC.  
ATTN: REPAIR DEPARTMENT  
501 OAK STREET  
SWEETWATER, TX 79556**

**800-622-0828    325-235-5494  
FAX 325-235-4672**

---

# Table of Contents

---

1. Introduction.....	1
2. Specifications.....	3
3. Control Panel.....	7
3.1 On/Off.....	8
3.2 Function.....	8
3.3 Audio.....	8
3.4 Ack/Reset.....	8
4. Display.....	10
4.1 Backlight.....	10
4.2 Startup.....	11
4.3 Instrument Information.....	11
4.4 Measurement View.....	11
4.4.1 Measurement Reading.....	12
4.4.2 Function Display.....	13
4.4.3 Status Icons.....	14
4.4.4 Messages.....	15
4.5 Changing the View.....	15
5. USB Port.....	17
5.1 Firmware Updating.....	17
5.1.1 Dimension File System.....	18
5.2 Data Logging.....	18
5.3 USB Keyboard Connection.....	19
5.4 Calibration.....	19
6. Keyboard Menu.....	20
6.1 Keyboard Controls.....	20
6.1.1 Sub Menus.....	20
6.1.2 Non-Editable Fields.....	21
6.1.3 Editable Fields.....	21
6.2 Settings.....	22
6.2.1 Product.....	22
6.2.2 Language.....	22
6.2.3 Calendar.....	22

6.2.4 Clock.....	23
6.2.5 Passwords.....	23
6.2.6 System.....	24
6.3 Controls.....	24
6.3.1 Backlight.....	25
6.3.2 Audio.....	27
6.4 Features.....	28
6.4.1 Integrate.....	28
6.4.2 Data Logging.....	30
6.5 Display.....	34
6.5.1 Setup.....	34
6.5.2 View 1:R/hr.....	35
6.5.3 View 2:Sv/h.....	42
6.5.4 View 3:Gy/h.....	42
6.5.5 View 4: rem/h.....	42
6.6 Functions.....	43
6.6.1 FCN 1:Integrate.....	43
6.6.2 FCN 2:Peak Rate.....	43
6.6.3 FCN 3: No Function.....	43
6.6.4 FCN 4: No Function.....	43
<b>7. Data Logging.....</b>	<b>44</b>
7.1 Data Description.....	44
7.2 Setup.....	47
7.3 Operation.....	48
7.4 Data.....	48
<b>8. Battery Power.....</b>	<b>49</b>
8.1 Battery Installation.....	51
8.2 Battery Test.....	52
8.3 Removing Battery Pack.....	53
8.4 Optional Alkaline Battery Pack.....	53
<b>9. Operational Test.....</b>	<b>54</b>
<b>10. Hazardous Material Shipping Classification.....</b>	<b>55</b>
10.1 Depressurization Procedure.....	56
10.2 Transportation Special Permit.....	57
<b>11. Options.....</b>	<b>63</b>
11.1 Dimension Interface Kit.....	63
11.2 Audio Jack Output.....	63
11.3 Model 9DP Logging Spreadsheet Software Package.....	64

11.4 Alkaline Battery Pack.....	64
11.5 Check Source.....	65
11.6 Keyboard.....	65
12. Safety Considerations and Maintenance.....	66
12.1 Environmental Conditions for Normal Use.....	66
12.2 Warning Markings and Symbols.....	68
12.3 Cleaning and Maintenance Precautions.....	70
12.4 Maintenance.....	70
13. Certificate of Compliance.....	72
14. Recycling.....	73



**Section****1****Introduction**

---

The Ludlum Model 9DP is a modern, digital, hand-held pressurized ion chamber designed to detect gamma and X-ray energies above 25 keV. It will also see beta energies above 1 MeV. The instrument can be configured to read in either units of Sv, R, Gy, or rem and is readily changed by an administrator without requiring a new calibration. The instrument is auto-ranging with a rate measurement range of 0-50 mSv/h (0-5 R/hr, 0-50 mGy/h, 0-5 rem/h).

The Model 9DP\* is a version of the Model 9DP Pressurized Ion Chamber that has a special chamber which has a flat energy response relative to ambient equivalent dose, or H\*(10). The Model 9DP\* firmware, software, and other electronics hardware is the same as the standard Model 9DP.

In addition to displaying the rate, the Model 9DP includes an operator-selectable function that additionally displays either the integrated reading or the peak reading. These two measurements are reset when the instrument is powered up and whenever manually reset by the operator.

The Model 9DP features a 232K-color, 320 x 240 dpi LCD that displays each measurement along with the instrument status. The LCD is backlit and automatically adjusts to the surrounding ambient condition via a built-in light sensor within the instrument.

Four simple pushbuttons located below the LCD provide all the control functions for powering the instrument, enabling functions, adjusting the audio output, and either acknowledging alarms or resetting function values.

The ion chamber electronics automatically zeros the detector signal so operator adjustments are not necessary. The electronics additionally are tested for drift due to temperature changes over a range of -20 to 40 °C (-4 to 104 °F) to ensuring readings within 20%.

The Model 9DP includes a single USB port located at the front of the instrument that is protected by a cover. This port is used to communicate with the instrument during setup and calibration. Full parameter setup and calibration requires

Ludlum's optional Dimension Interface Package (Part Number: 4293-763). A limited set of password-controlled preferences can be adjusted by simply connecting the instrument directly to a standard USB keyboard.

The USB port may also be utilized to store captured measurement data onto a removable USB memory storage device for convenient retrieval by a PC spreadsheet or database program. Data capture frequency is adjustable with all data stored in CSV file format.

The unit is powered by eight "AA" NiMH rechargeable batteries. Battery life largely depends upon the LCD backlighting and USB usage ranging from 12 to 30 hours.

The Model 9DP is equipped with a synthetically generated audible output that outputs clicks proportional to the radiation rate; however, no clicks will be heard when the meter deflection is less than 3% (15  $\mu\text{R}/\text{hr}$  or 0.15  $\mu\text{Sv}/\text{h}$ ). This function can be turned on at multiple audible volume levels and shut-off.

Alarms can be enabled to alert the user whenever a pre-programmed level has been exceeded. The alarm can be acknowledged by the user to silence the audio even when the alarm condition remains. A second acknowledgement by the user will automatically re-arm the system.

The instrument case is constructed from resilient polycarbonate plastic, supported internally by a rigid metal frame. The internal electronics are designed with a solid state and are microprocessor based with low-power circuitry. The operating program is stored in non-volatile, rewritable flash memory.

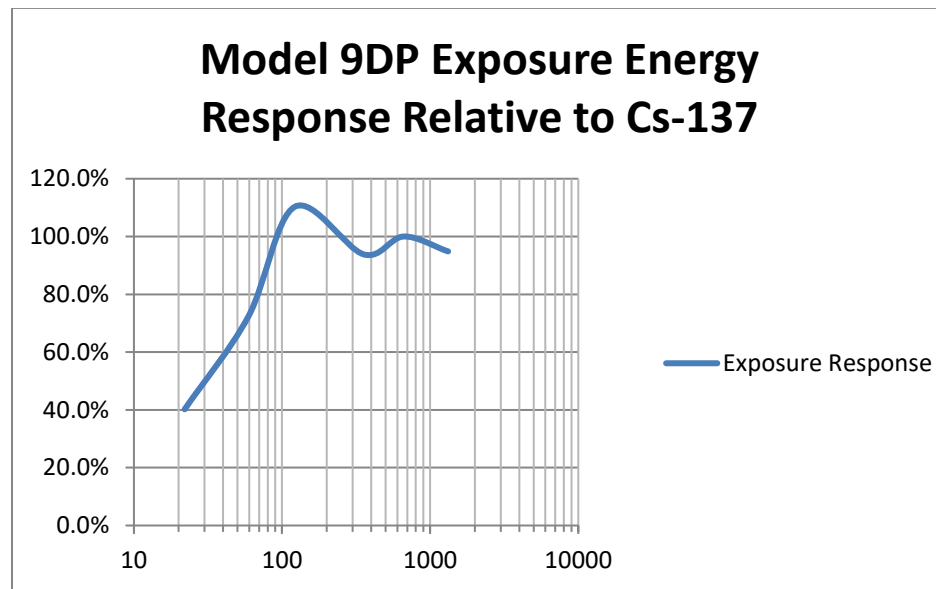
## Section

## 2

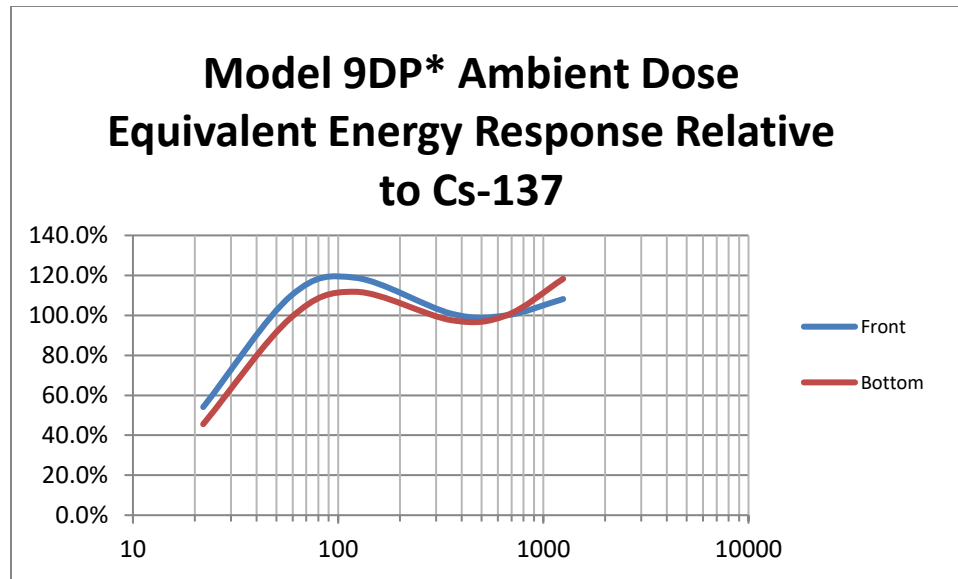
## Specifications

**Radiation Detected:** gamma and X-rays above 25 keV; beta above 1 MeV

**Model 9DP Energy Response:**  $\pm 25\%$  from 60 keV to 1.25 MeV (see chart below)



**Model 9DP\* Energy Response:** ambient equivalent dose or dose rate, flat within 20% from 40 keV to 1.3 MeV.



**Dynamic Measurement Range:** 0-50 mSv/h (0-5 R/hr, 0-50 mGy/h, 0-5 rem/h)

**Warm-up Time:** less than 1 minute when the instrument is in temperature equilibrium with the environment and known good batteries have been installed for 24 hours. The user may need to wait up to 24 hours if the batteries are newly installed.

**Drift:** less than 0.3  $\mu$ Sv/h (0.03 mR/hr, 0.3  $\mu$ Gy/h, 0.03 mrem/h)

**Display Ranges:** (auto-ranging)

With Sv/h units:	With R/hr units:	With rem/h units:	With Gy/h units:
0-5 $\mu$ Sv/h	0-500 $\mu$ R/hr	0-500 $\mu$ rem/h	0-5 $\mu$ Gy/h
0-50 $\mu$ Sv/h	0-5 mR/hr	0-5 mrem/h	0-50 $\mu$ Gy/h
0-500 $\mu$ Sv/h	0-50 mR/hr	0-50 mrem/h	0-500 $\mu$ Gy/h
0-5 mSv/h	0-500 mR/hr	0-500 mrem/h	0-5 mGy/h
0-50 mSv/h	0-5 R/hr	0-5 rem/h	0-50 mGy/h

**Minimum Display:** 0.01  $\mu$ Sv/h (0.1  $\mu$ R/hr, 0.01  $\mu$ Gy/h, 0.1  $\mu$ rem/h)

**Chamber Volume:** 230 cc (14 in<sup>3</sup>)

**Chamber Pressure:** 9 atmospheres (117 psig  $\pm$  5 psig)

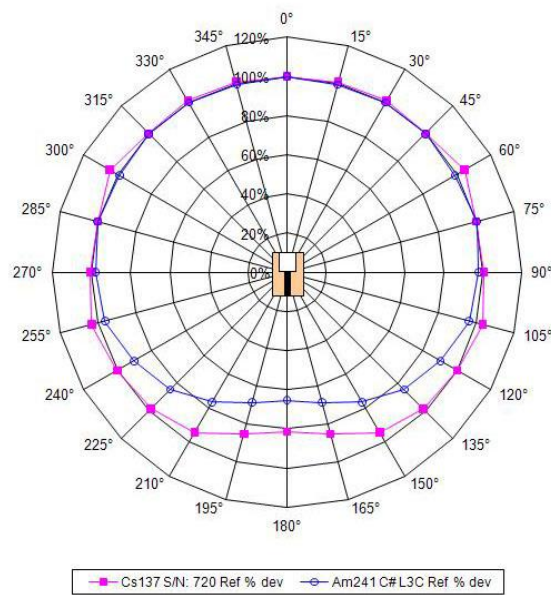
**Density:** chamber wall density is 601.7 mg/cm<sup>2</sup>, can wall density is 332.5 mg/cm<sup>2</sup>. Total density of chamber and can combined is 934.2 mg/cm<sup>2</sup>.

**Chamber Gas:** 99.89% ( $\pm 0.05\%$ ) nitrogen (N) and 0.11% ( $\pm 0.05\%$ ) argon (Ar)

**Note:** The chamber may be filled with 100% nitrogen, but the instrument cannot be shipped or transported in the U.S. using the DOT special permit unless the chamber is depressurized first.

**Accuracy:**  $\pm 10\%$

**Angular Dependence:** less than 2% change, relative to the front of the instrument  $\pm 90^\circ$  for  $^{137}\text{Cs}$ . See figure below.



**Ambient Pressure:** per ANSI 42-17A-2003, less than 15% change in readings from 70 kPa to 106 kPa (20.7 to 31.3 inches of mercury)

**Response Time:** ranges from 7 seconds in the lowest range to under 2 seconds in highest range when measuring from 10% to 90% of final value

**Jitter Threshold:** the jitter threshold is a useful parameter to reduce “bouncing” in the ratemeter readings in low radiation fields. When the radiation field is less than the jitter threshold (default of  $12 \mu\text{R/hr}$ ), then the instrument averages readings for a longer time, reducing the “bounce” but increasing the response time. When there is a change in radiation that is greater than the jitter threshold, the instrument speeds up, and response time is decreased. The jitter threshold can be changed using the Dimension software.

**Measurement Readouts:** The primary readout (directly under the analog arc) is the radiation rate displayed in units of either Sv/h, R/hr, Gy/h, or rem/h. A secondary

display shows either the integrated reading or peak reading since the instrument was turned on or last reset manually.

**LCD Display:** 8.9 cm (3.5 in.) diagonal, 320 W x 240 H pixels, TFT active matrix, 232K colors, 220 cd/m<sup>2</sup>, backlighting automatically controlled by built-in light sensor

**Automatic Functions:** auto-ranging, auto-zeroing, auto-LCD backlighting

**Audio Output:** built-in unimorph speaker, > 60 dB at 0.6 m (2 ft), optional audio jack connector for headsets (headset available as an option)

**Alarms:** two levels of radiation alarms available, each are user programmable throughout entire readout range and set through a PC interface program or standard USB keyboard.

**Data Logging:** Data is stored to detachable USB memory storage device in CSV format for easy retrieval by PC spreadsheet/database programs. Data points include clock-generated date and time, rate, integrated reading, and instrument status. Logging time intervals are set by PC interface program or standard USB keyboard.

**Temperature Range:** the mean response from 0 to 40 °C (32 to 104 °F) shall be within 15% of the mean response determined at room temperature and the mean response from -20 to 0 °C (-4 to 32 °F) shall be within 20% of the mean response at room temperature.

**Humidity Range:** 0 to 95%, non-condensing

**Geotropism:** less than 1%

**Power:** eight rechargeable "AA" NiMH batteries; supplied with wall charger for direct connection to instrument

**Battery Life:** 12 to 30 hours between charges, depending upon use of backlighting

**USB Interface:** single USB port, meets USB 2.0 standard, may be connected directly to a USB keyboard to facilitate password-protected parameter changes, accepts a portable USB memory storage device for storing logged data, optional interface kit facilitates connection to a PC for parameter editing and calibration

**Construction:** durable molded plastic with internal metal support

**Size:** 21.9 x 11.6 x 24.5 cm (8.6 x 4.6 x 9.6 in.) (H x W x L)

**Weight:** 1.5 kg (3.3 lb), including batteries

**Section****3****Control Panel**

The instrument is equipped with a four-button control pad, as shown above. All controls for the instrument are performed via these four control buttons. Each labeled button has set operation(s) it performs.

The controls are as follows:

**ON/OFF****Function****Audio****Ack/Reset**

## 3.1 On/Off

This button is used to turn power on and off to the instrument. To turn on the instrument, only a momentary press is required. A series of beeps can be heard within one second of pressing the ON/OFF button. There is about a four to five-second delay before the screen wakes up and presents the Startup View.

To turn off the instrument, press the ON/OFF button by pressing and holding it down for approximately two seconds. When the system recognizes this command, it changes the screen to the System Status View with the message, "Instrument Shutting Down," displayed.

## 3.2 Function

The Model 9DP supports built-in functions. These functions are displayed below the main instrument rate reading. Pressing the Function button switches the function to the next available function. Each function will have a unique identifier. See Functions in Section 6 for detail on the functions included.

## 3.3 Audio

The instrument includes an audible output proportional to the radiation rate and also to announce an alarm if activated within its programmed parameters. Pressing the audible button momentarily adjusts the volume output sequentially between OFF and five increasing audible levels before returning to the OFF position again. An icon on the bottom right-hand part of the screen indicates how many levels are currently activated and are shown as green bars.

## 3.4 Ack/Reset

This key is used to acknowledge alarms and to reset functions. Any time an alarm sounds, users can silence the audible output by pressing the ACK/RESET button. A second acknowledgement by the user will automatically clear the message and re-arm the system.

The ACK/RESET button may also be used to reset the current rate reading. If no alerts or alarms are present, a momentary press of the button will reset the current rate reading to "0.0"; however, the reading will immediately begin to update. As a result, the user may never see a "0.0" reading displayed.

This control can also be used in conjunction with resetting any functions utilizing this capability. The Model 9DP incorporates the Integrate and Peak functions, both of which allow resetting their values from the button.



With the desired function presented on the display, the user can press the ACK/RESET button for three seconds, after which the function value will be reset to “0.0”. Note that the Peak function will display “0.0” only very briefly before it jumps to the value matching the current displayed value.

**Section****4****Display**

The Ludlum Model 9DP is equipped with a color LCD that improves the user's understanding of the instrument reading, functions, and operating status, as compared to other typical display technologies. The LCD utilizes a bit-mapped layout to afford an optimized arrangement of all of the data available.

The LCD is sunlight readable so it can be used outdoors even in very bright conditions. In very bright conditions the color distinction will diminish, but all the information is still easily read.

### 4.1 Backlight

A built-in light sensor automatically adjusts the LCD backlighting to a level that is optimally suited for the ambient light condition it is in or per one of the user-designated modes described below. Adjustments to the default levels set at the factory are possible through either the USB keyboard connection (see Section 6) or via an optional Dimension Interface Package (see Options, Section 11).

## 4.2 Startup

Upon power-up, the instrument begins a self-diagnostic routine, loads all of the stored data, and displays a company splash screen for approximately three seconds.

## 4.3 Instrument Information

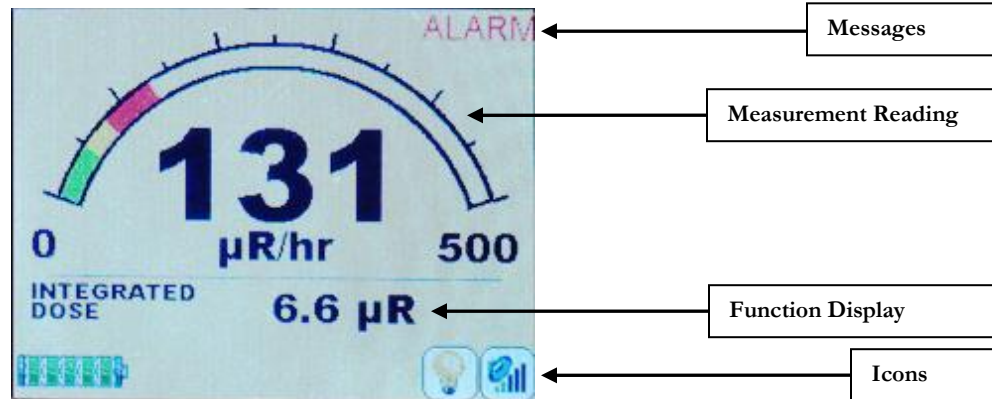
Immediately following startup, the instrument will next display pertinent instrument information. Information contained in this display includes:

- Instrument Model Number (Model 9DP)
- Instrument Serial Number: as assigned by Ludlum Measurements, Inc.
- Firmware Version: identifying currently installed firmware.
- User ID: This is an optional alpha-numeric field that can be programmed into the unit to identify the owner name/department/company etc.
- User Serial Number: This is an optional alpha-numeric field that can be programmed into the unit to identify a unique serial number different from the instrument serial number assigned it by Ludlum. This may be useful for tracking company inventory using the owner's numbering system.
- Calibration Date: the date the instrument was last calibrated.
- Calibration Due Date: the date the instrument should next be calibrated.

## 4.4 Measurement View

The LCD displays the data captured by the ion chamber in a user customized format which, for the purpose of this manual, is referred to as a "view."

The view is broken down into three primary areas for displaying the measurement reading, the operative function, and the status icons. Messages are displayed in the area relevant to the message content.



#### 4.4.1 Measurement Reading

The default measurement reading is presented as an analog arc with a large numeric display beneath. The arc will indicate increasing levels by filling in the arc with a green-colored fill. If an alert or an alarm is pre-programmed and activated, it will change the fill color to yellow and red respectively from the point where the alarm point begins. The color-coded arc fill is a user-friendly means of indicating whether the level displayed is normal (green), becoming a concern (yellow), or exceeding the desired level (red).

The scale is auto-ranging, meaning that as the level increases, the values noted at the start and ending points of the arc will change. Five scales exist on the Model 9DP as noted in the following table.

#### Scale Ranges

SI Units – Sv/h	US Units – rem/h	Us Units – R/hr	SI Units – Gy/h
0-5 $\mu\text{Sv/h}$	0-500 $\mu\text{rem/h}$	0-500 $\mu\text{R/hr}$	0-5 $\mu\text{Gy/h}$
0-50 $\mu\text{Sv/h}$	0-5 mrem/h	0-5 mR/hr	0-50 $\mu\text{Gy/h}$
0-500 $\mu\text{Sv/h}$	0-50 mrem/h	0-50 mR/hr	0-500 $\mu\text{Gy/h}$
0-5 mSv/h	0-500 mrem/h	0-500 mR/hr	0-5 mGy/h
0-50 mSv/h	0-5 rem/h	0-5 R/hr	0-50 mGy/h

### 4.4.2 Function Display

The Model 9DP comes pre-programmed with two functions which can be displayed. The function area is sandwiched between the measurement reading (shown in prior figure) and the status icons (shown in following section).

Two functions that are pre-programmed are Integrate and Peak Rate. Users can switch between these two functions by pressing the FUNCTION key on the control panel. Additional functions may be activated depending on the user's application.

The two functions mentioned above – Integrate and Peak Rate – are described in detail for the remainder of this section.

#### **Integrate Function**

The Integrate Function simply accumulates or integrates the rate reading while the instrument is turned on. The display reads, "Integrated Dose," followed by the value and measurement unit as it accumulates. It is operative all the time, independent of whether or not this function is being displayed or not.

The default behavior of this function is that it automatically accumulates until it is reset. It is automatically reset every time the instrument is powered off. The integrated value can also be manually reset to "0" by pressing the ACK/RESET control button for three seconds while this function is being displayed.

Users who do not want the reading automatically reset when it is shut off can re-program the instrument to only reset when it is done via the manual method just described. The user can re-program the Integrate setting via a USB keyboard or through Dimension Configuration Manager software.

Integration will not occur for the first 60 seconds after the instrument is powered on to allow the instrument time to settle.

#### **Peak Rate Function**

The Peak Rate Function reads the highest measurement value attained since the instrument was last turned on. It remains active, independent of whichever function is currently being displayed. It is reset automatically when the instrument is shut off or can be manually reset by pressing the ACK/RESET control button for three seconds while this function is displayed. Peak readings will not be recorded during the first 30 seconds after the instrument is powered up to allow the instrument time to settle.

**Note:** There may be a delay in Peak Value when switching between detection ranges.

### 4.4.3 Status Icons

Several icons may be displayed across the bottom of the LCD to immediately identify the operative status of the instrument. They include all of the following:



Battery Status: indicates current battery level by cell. A battery alert is given when only two cells remain. If the instrument is left running, it will shut itself down in an orderly fashion when it reaches its end-of-life.



Battery Charging: is present any time the charger is plugged into the instrument and the battery is charging.



Backlight Off: Any time the LCD backlight is not on, this icon is presented.



LCD Auto Backlight On: is present whenever the instrument is programmed to automatically control the LCD backlight (default mode) and has become activated due to pre-programmed ambient conditions. The light level (20-100%) the unit is operating at is not displayed by this icon.



Manual or Temporary Mode Backlight On: Any time the instrument is set to operate, the backlight in either the Manual or the Temporary Mode will display the lit bulb icon.



Audible Output Level: The audible icon is always visible and indicates the status of the audible output that is associated with the measured radiation rate of the instrument. The green bars indicate increasing output levels by each added vertical bar. Pressing the Audio control button repeatedly on the instrument control panel will cycle the levels up through all five levels. After the fifth bar, the next indication is with no green bars notifying the user that the audible output is shut off.



Thumb Drive in Use: is indicated any time a portable USB memory storage device is plugged in, powered, and recognized by the instrument.



Keyboard Plugged In: Icon appears when keyboard is plugged in and recognized by the instrument. Press F1 to get Menu Mode. Press ESC to get out of Menu Mode.



**Communication Cable:** Icon appears when communication cable is initially plugged in.



**Communication Cable:** Once the computer and instrument are successfully communicating, the “X” disappears (shown above), and this icon appears.



**Correction Factor 1, 2, or 3:** May be accompanied by a Range icon. It will only be displayed when the correction factor is active. The Functions Display will show correction factor value.



**Range icon:** Some features/functions or software may force the instrument into a single detection range. Anytime the instrument is not auto-ranging, there will be an icon indicating which detection range is active. On power-up, the instrument is auto-ranging.

#### 4.4.4 Messages

Messages appear following either a pre-programmed alarm or to notify users of an operational or hardware-related failure.

##### Standard Alarm Messages

The default ALERT and ALARM messages are activated whenever the values exceed their pre-programmed values. These alarm type messages are always posted in the upper right-hand side of the display.

##### Failure Messages

A number of instrument failure messages are designed into the instrument to alert the user of certain situations. These messages will be posted in the Instrument Status area where the icons are normally present and will override the icons until the problem is corrected.

Messages in this category include:

- USB Error Messages
- “Cannot Enumerate Device”

## 4.5 Changing the View

The Model 9DP is programmed to only have one view. This view may, however, be exchanged for one of four views already pre-programmed into the instrument.

Exchanging views can be accomplished by connecting a standard USB keyboard to the instrument and selecting the desired view. See Section 5.4 for more detail.



**Section****5****USB Port**

The Model 9DP is equipped with one USB port that complies with the USB 2.0 standards. The port enables multiple functions for updating the instrument firmware, configuring the instrument parameters, logging data and performing setup/calibration activities.

**5.1 Firmware Updating**

Ludlum provides free firmware file uploads directly from its Ludlum website at <http://www.ludlums.com/Dimension/> and program configuration at the factory. This page will offer Dimension operating system updates on an instrument-by-instrument basis. Each update includes notes describing the changes to assist you in deciding whether or not to update your instrument(s). Instrument configuration updates can be accomplished at the factory.

Files can be retrieved easily by simply clicking on the appropriate link on the Dimension webpage and downloading it to your computer or portable USB memory storage device. Once the files are loaded onto your portable memory storage device, insert it into the instrument while in the shut-off (power-off) condition.

Once the USB is inserted, turn on the instrument, and the instrument will automatically retrieve the new files.

### 5.1.1 Dimension File System

Dimension files that define the instrument operation and functionality consist of two types: the operating system and the instrument configuration file. It is important to note that uploading any new files does not negate your current calibration.

The operating system file is universal to all Dimension products of the same model type and is always named as `firmware.hex`. This file is similar in nature to Windows® or Linux® for PCs in that it provides the background, environment enabling real-time operation of the instrument hardware and resources. Uploading operating system file updates does not fundamentally impact your current instrument/system except in cases where:

- a) a software bug was fixed that applies to your instrument
- b) a new feature is added and deliberately implemented.

Instrument configuration files only apply to a single Ludlum instrument model within the Dimension family. These files determine the features and functions that are available for a given instrument model.

The Dimension products will have specific configuration files for each instrument model at the factory as they become available. These file names can be customized to fit the particular model number or perhaps a specific name reflecting an instrument configuration of the instrument owner's choosing.

The configuration file format will always have a `.cfg` extension. For example, the Model 9DP file name might be "M9DP.cfg." When the instrument attempts to load a new configuration file from the memory stick, it will load the first file so be sure that only the new configuration file exists on the memory stick.

## 5.2 Data Logging

This use of the USB port enables capturing logged data and having it stored onto a portable USB memory storage device inserted into the instrument's USB port. The file is a CSV (comma separated value) type and is named `output.log`. The CSV file type is universal and can easily be read into your favorite PC spreadsheet or database program for performing, reporting, and data analysis functions. Also available, is the Model 9DP Logging Spreadsheet Software package (part # 4293-998), which allows the user to log real-time data from the instrument directly to an Excel spreadsheet.

### **5.3 USB Keyboard Connection**

Users can connect a standard USB keyboard directly into the instrument USB port to edit parameters, which may be password controlled. When the instrument is turned on, it will sense the keyboard. Once the keyboard icon is present, pressing F1 will open the keyboard menu.

### **5.4 Calibration**

Complete setup and calibration capability can be accessed by connecting the instrument to a PC via Ludlum's optional Dimension Interface Kit (part # 4293-763). This kit includes Windows® PC software, plus a special USB cable with a built-in adaptor.

**Section****6**

---

**Keyboard Menu**

---

A standard USB keyboard may be connected to the instrument via the USB port. Once connected, the keyboard icon will appear on the icon display line letting the user know that the keyboard is attached and ready.

**6.1 Keyboard Controls**

Pressing “F1” on the keyboard will take the user to a menu screen that will allow the user the ability to make changes to the instrument configuration without the need to connect the instrument to a computer.

The menu offerings are as follows:

- Settings
- Controls
- Features
- Display
- Functions
- Exit

To navigate through the menu, use the up and down arrows on the keyboard. As the arrows are pressed, the green bar will move up or down to highlight the appropriate keyboard menu line. Once the appropriate menu line is selected, press Enter to advance to the next screen.

**6.1.1 Sub Menus**

If the selected menu line is a sub-menu heading, a new menu will appear. The user can then navigate through the new menu to select another menu line or select “<-Back” to return to the previous menu.

### 6.1.2 Non-Editable Fields

If the selected menu line is a non-editable field, the current value for the menu item will be displayed as well as the “<-Back” menu line. Only the “<-Back” menu line may be used, which will return the user to the previous screen.

### 6.1.3 Editable Fields

If the selected menu line is an editable field, the current value for the menu item will be displayed as well as the “<-Back” menu line. Highlighting the menu item and pressing enter will change the menu line color from green to black, indicating that the value may be changed.

#### Numerical Fields

If the menu item is a numerical value, the up and down arrows may be used to change the value of the menu item. Each press of the up/down arrow keys will increment/decrement the numerical value by a value of 1. Pressing and holding the up/down arrow keys will increment/decrement the numerical value by a value of 1 for the first 10 counts. After 10 counts, the numerical value will start to increment/decrement by a value of 5 for the next 10 counts, after which the value will increase by a value of 50. Releasing the key at any time will restart the count increment at 1. When the appropriate value is reached, press Enter to keep the value, and the menu line should change from black to green.

#### Text Fields

If the menu item is a text value, use the keyboard to type the appropriate text into the field. Text fields only accept alpha-numeric characters and spaces. No other character should be used. When the appropriate value is entered, press enter to keep the value, and the menu line should change from black to green.

The backspace may be used to delete unwanted characters in the event a mistake was made. No other special control keys are available to help edit the text.

#### Special Fields

If the menu item is a special field, the up and down arrows may be used to scroll through the available values for the particular field. When the appropriate value is reached, press enter to keep the value, and the menu line should change from black to green.

**Note:** If the arrow is pressed and held, the same rules apply as though it were a numeric field. Holding the arrow for more than 10 counts, may result in some unusual behavior but will not cause harm to the instrument.

## 6.2 Settings

“Settings” menu allows the user to not only see information about the instrument that was programmed at the factory, but also to set some basic system information.

### 6.2.1 Product

“Product” is a sub-menu which grants access to the “Model,” “Ludlum Serial Number,” “User ID Number,” and “User Serial Number.”

#### **Model**

“Model” represents Ludlum’s model number assigned by Ludlum Measurements at the factory and is a view only field.

#### **Ludlum Serial Number**

“Ludlum Serial Number” represents the serial number assigned by Ludlum Measurements at the factory and should match the serial number located on the yellow label located just above the USB port. This is a view only field.

#### **User ID Number**

“User ID Number” can be assigned by the user and is treated as a text string even if the value is completely numeric. The field is limited to 16 characters.

#### **User Serial Number**

“User Serial Number” can be assigned by the user and is treated as a text string even if the value is completely numeric. The field is limited to 16 characters.

### 6.2.2 Language

“Language” can be used to select the language used by the 9DP; however, the only language currently supported by the 9DP is English. As a result, this field is a view only field.

### 6.2.3 Calendar

“Calendar” is a sub-menu which grants access to the Month, Day, and Year associated with the calendar.

#### **Month**

“Month” represents the current calendar month and is a special field.

**Day**

“Day” represents the current calendar day and is a numeric field. Valid values for “Day” are 1 to 31.

**Note:** When selecting the day, any value from 1 to 31 may be entered, as the instrument does not verify the day versus the number of days available in the current month; however, the clock will adjust to a valid date at midnight when the calendar day changes.

**Year**

“Year” represents the current calendar year and is a numeric field. Valid values for “Year” are 2000 to 2099.

**6.2.4 Clock**

“Clock” is a sub-menu which grants access to the “Hours,” “Minutes,” “Seconds,” and “Format” associated with the clock.

**Hours**

“Hours” represents the current clock hour in 24-hour notation and is a numeric field. Valid values for “Hours” are 00 to 23.

**Minutes**

“Minutes” represents the current clock minutes and is a numeric field. Valid values for “Minutes” are 00 to 59.

**Seconds**

“Seconds” represents the current clock seconds and is a numeric field. Valid values for “Seconds” are 00 to 59.

**Format**

“Format” represents the format in which clock information is displayed. “Format” is a special field with valid values of 12 and 24.

**6.2.5 Passwords**

“Passwords” is a sub-menu which grants access to the “Password Enable,” “Password 1,” “Password 2,” and “Password 3” fields associated with the password menu. If passwords are enabled, the instrument will require that a password be entered into the instrument to allow access to the keyboard menu. The instrument will compare the entered password against each stored password, and if a valid match is found, the user will be granted the appropriate level of access to the keyboard menu. Press enter when the approved level of access is

displayed to access the keyboard menu or “<- Exit” to exit the keyboard menu. If the password was not approved, pressing Enter will force the user out of the keyboard menu, and the user will have to press F1 to try again.

If even one password is left blank, pressing enter with a blank password when a password is required will grant that user access to the menu at the highest appropriate password level.

**Note:** Currently, only one level of passwords exists.

### **Enable**

“Enable” represents the current state of the password system and is a special field. If the value is “Off,” no password is required to gain access to the keyboard menu. If the value is “On,” a valid password is required to gain access to the keyboard menu.

### **Password 1**

“Password 1” represents the user level of keyboard menu access and is a text field. The field is limited to 16 characters and is case sensitive.

### **Password 2**

“Password 2” represents the manager level of keyboard menu access and is a text field. The field is limited to 16 characters and is case sensitive.

### **Password 3**

“Password 3” represents the administrator level of keyboard menu access and is a text field. The field is limited to 16 characters and is case sensitive.

## **6.2.6 System**

“System” is a sub-menu which grants access to the “Firmware Number.”

### **Firmware Number**

“Firmware Number” is the current version of main firmware that the 9DP is currently using and is a view-only field. This information is necessary when downloading the appropriate files from the Ludlum website should a firmware revision be required in the future.

## **6.3 Controls**

“Controls” menu allows the user to set some basic system information regarding the interface hardware used by the instrument. The two primary controls available include the LCD “Backlight” and the “Audio” output.



### 6.3.1 Backlight

“Backlight” is a sub-menu which grants access to the “Power Up Mode,” “Operating Mode,” and light mode settings associated with the backlight.

There are three different operating modes for LCD backlighting: auto, manual, and temporary. There is no direct user control for changing the backlight or manipulating the power setting outside of the USB keyboard menu.

The default operating mode is Auto. Users can modify the operating mode and associated selectable parameters within each mode.

#### Power Up Mode

“Power Up Mode” represents the state in which the backlight will operate when power is applied to the instrument and is a special field.

The definitions of the backlight power-up modes are:

**Default:** pre-defined by Ludlum Measurements and is the “Auto” mode.

**Last:** indicates that the instrument will power up in the same backlight “Operating Mode” the instrument was using at the time the instrument was last powered down.

**Auto:** A light sensor above the control panel of the instrument will detect changes in the ambient lighting conditions and automatically adjust the backlight level to low, medium, or high power. The lighting values can be re-programmed to other values (see 6.3.1.5 Auto Mode Settings).

**Off:** This mode sets the backlight to the level defined as the “Off” level. The backlight level for the “Off” setting is always 0%.

**On:** This mode sets the backlight to the level defined by the “Always On Level.” The default backlight level for “Always On Level” is 100%.

**Temporary:** This mode automatically activates the backlight to a preset level defined by the “Always On Level” for a user-adjustable set period of time defined in “Temporary Display Time” any time a key is pressed on the keypad. The default values are 100% backlit with 10-second duration. The backlight is also activated when an alert or alarm becomes active under this mode.

### **Operating Mode**

“Operating Mode” represents the current operating mode for the backlight. “Operating Mode” is a special field with valid values of “Off,” “On,” “Auto,” and “Temporary” as described in section 6.3.1.1.

### **Temporary Display Time**

“Temporary Display Time” represents the length that the backlight will remain on in seconds when the instrument backlight is operating in “Temporary” mode. The display time is a numeric field.

### **Always On Level**

“Always On Level” represents the backlight level that the backlight will operate at when the instrument backlight is operating in the “On” mode or the “Temporary” mode, assuming that a key has been pressed. “Always On Level” is a numeric field displayed in percentage. “High Level” and “Always On Level” are calibrated to 100 mA  $\pm$ 5% setting. These levels above factory settings could reduce backlight and battery life.

### **Auto Mode Settings**

“Auto Mode Settings” is a sub-menu allowing access to the low, medium, and high backlight level settings.

When the backlight is operating in “Auto” mode, the backlight can adjust to three separate levels, depending on the amount of light detected by the instrument's light sensor.

- **Low Level Backlight**

“Low Level Backlight” represents the level for the backlight when the instrument detects the maximum amount of ambient light. The low-level backlight is a numeric field calibrated to a default current of 60 mA  $\pm$ 5%.

- **Medium Level Backlight**

“Medium Level Backlight” represents the level for the backlight when the instrument detects an average amount of ambient light.

The medium level backlight is a numeric field calibrated with to a default current of 80 mA  $\pm 5\%$ .

- **High Level Backlight**

“High Level Backlight” represents the level for the backlight when the instrument detects the least amount of ambient light. The high-level backlight is a numeric field calibrated to a default current of 100 mA  $\pm 5\%$ .

### 6.3.2 Audio

“Audio” is a sub-menu which grants access to the “Power Up Mode,” “Operating Mode,” and level settings associated with the built-in unimorph; above and beyond the audio keypad switch, which offers direct user control for changing the audio level when the USB keyboard is not connected.

#### Power Up Mode

“Power Up Mode” represents the state in which the audio will operate when power is applied to the instrument and is a special field.

The definitions of the audio power-up modes are:

**Default:** was pre-defined by Ludlum Measurements and is 40% of the maximum.

**Last:** indicates that the instrument will power up in the same audio “Operating Mode” the instrument was using at the time the instrument was last powered down.

**Off:** This mode sets the audio level to 0% on power up.

**On:** This mode currently sets the audio level to 40%, similar to the “Default” setting.

#### Operating Mode

“Operating Mode” represents the current operating mode for the audio. “Operating Mode” is a special field with valid values of 0%, 20%, 40%, 60%, 80%, and 100%.

#### Alert Level

“Alert Level” represents the audio level associated with an alert message. “Alert Level” is a numeric field with valid values from 0 to 100 displayed in percentages.

### Alarm Level

“Alarm Level” represents the audio level associated with an alarm message. “Alarm Level” is a numeric field with valid values from 0 to 100 displayed in percentages.

## 6.4 Features

“Features” menu allows the user to set up special capabilities of the 9DP. The two primary features available include the “Integrate” and the “Data Logging” features.

### 6.4.1 Integrate

“Integrate” is a sub-menu which grants access to the “Power Up Mode,” “Operating Mode,” and settings associated with the integrate feature.

The instrument is designed to calculate an integrated dose when the Integrate feature is enabled. This feature also controls how the integrated dose reading will be reported to a file or streamed to a computer (with the appropriate interface cable and software) if the integrated dose is being recorded.

#### Power Up Mode

“Power Up Mode” represents the state in which the integrated feature will operate when power is applied to the instrument and is a special field.

The definitions of the integrated dose power-up modes are:

**Default:** was pre-defined by Ludlum Measurements and is “On.”

**Last:** indicates that the instrument will power up in the same “Operating Mode” the instrument was using at the time the instrument was last powered down.

**Off:** this mode turns the integrate feature “Off.”

**On:** This mode turns the integrate feature “On.”

#### Operating Mode

“Operating Mode” represents the current operating mode for the integrate feature. “Operating Mode” is a special field with valid values of “Off” or “On.”

### **Delay On Power Up**

“Delay On Power Up” represents the amount of time in seconds that the instrument must wait on power-up before readings are added to the integrated dose accumulation. “Delay On Power Up” is a numeric field with valid values from 1 to 180.

### **Save On Shutdown**

“Save On Shutdown” represents the ability to save the current integrated dose on shut-down and use the value as the initial value the next time the instrument is powered on. “Save On Shutdown” is a special field with valid values of “On” or “Off.”

### **Logging Report**

“Logging Report” is a sub-menu which grants access to “Log On Start Up” and “Log Before Shut Down” associated with logging the integrated dose.

- **Log On Start Up**

“Log On Start Up” represents the ability to log the integrated dose to the memory stick after the power-up delay. “Log On Start Up” is a special field with valid values of “Off” and “On.”

- **Log Before Shut Down**

“Log Before Shut Down” represents the ability to log the integrated dose to the memory stick before the instrument completes its shut-down procedure. “Log Before Shut Down” is a special field with valid values of “Off” and “On.”

### **Value Menu**

“Value Menu” is a sub-menu which grants access to the “Value,” “Multiplier,” and “Units” associated with the integrated dose reading.

The “Integrate” feature collects the integrated dose and stores it based on the settings of “Multiplier” and “Units.” The user can change the multiplier and units, which will immediately adjust the value to the appropriate reading. The settings for “Multiplier” and “Units” also determines how the integrated dose information will be reported if data logging is enabled.

The integrated dose is also viewable on the measurement view if the “Integrated Dose” function is loaded. The multiplier set in the “Integrate” feature is also the multiplier used as the base multiplier by the “Integrated Dose” function; however, as the integrate value increases, the “Integrated Dose” function will auto range the multiplier while the “Integrate” feature multiplier remains the

same. The units assigned in the “Integrate” feature have no effect on the “Integrated Dose” function unless the view element does not have an appropriate unit assigned. Only then will the “Integrated Dose” function rely upon the “Integrate” feature units for proper calculation.

**Note:** The “Integrated Dose” function grants the user the ability to reset the integrated dose collected by the instrument; however, the “Integrate” feature controls whether the integrated dose is functioning or not. If the “Integrate” feature is “Off,” no data updates will be displayed by the “Integrated Dose” function.

- **Value**

“Value” represents the current numerical value of the integrated dose given the supplied multiplier and units. “Value” is a non-editable field.

- **Multiplier**

“Multiplier” represents the current multiplier associated with the integrated dose. “Multiplier” is a special field with valid values of micro, milli, unity, kilo, and mega.

- **Units**

“Units” represents the current units associated with the integrated dose. “Units” is a special field with valid values of “R,” “Sv,” “Gy,” and “rem.”

### 6.4.2 Data Logging

“Data Logging” is a sub-menu which grants access to the “Power Up Mode,” “Operating Mode”, and settings associated with the data logging feature.

#### Power Up Mode

“Power Up Mode” represents the state in which the data logging feature will operate when power is applied to the instrument and is a special field.

The definitions of the data logging power-up modes are:

**Default:** was pre-defined by Ludlum Measurements and is “Off.”

**Last:** indicates that the instrument will power up in the same “Operating Mode” the instrument was using at the time the instrument was last powered down.

**Off:** This mode turns the data logging feature “Off.”

**On:** This mode turns the data logging feature “On.”

### **Operating Mode**

“Operating Mode” represents the current operating mode for the data logging feature. “Operating Mode” is a special field with valid values of “Off” or “On.”

### **Delay On Power Up**

“Delay On Power” represents the amount of time in seconds that the instrument must wait on power-up before data logging starts logging data. “Delay On Power Up” is a numeric field with valid values from 1 to 180.

### **Sample Period**

“Sample Period” represents the amount of time in seconds that the instrument must wait between reporting data logging events. “Sample Period” is a numeric field with valid values from 1 to 3600 (1 hour).

### **Report Setup**

“Report Setup” is a sub-menu which grants access to the “System,” “Instrument,” and “Readings” values that are to be reported by the data logging feature.

- **System**

“System” is a sub-menu which grants access to the “Date,” “Time,” and instrument settings to be reported by the data logging feature.

- **Date**

Enabling “Date” will cause the data logging feature to report the current date during each logging event. Otherwise, the date field should be disabled. “Date” is a special field with valid values of “Off” and “On.”

- **Time**

Enabling “Time” will cause the data logging feature to report the current time during each logging event. Otherwise, the time field should be disabled. “Time” is a special field with valid values of “Off” and “On.”

- **Chamber Temperature**

Enabling “Chamber Temperature” will cause the data logging feature to report the temperature currently being recorded by the ion

chamber during each logging event. Otherwise, the chamber temperature field should be disabled. “Chamber Temperature” is a special field with valid values of “Off” and “On.”

- **High Voltage**

Enabling “High Voltage” will cause the data logging feature to report the wall voltage associated with the ion chamber during each logging event. Otherwise, the high-voltage field should be disabled. “High Voltage” is a special field with valid values of “Off” and “On.”

- **Battery Voltage**

Enabling “Battery Voltage” will cause the data logging feature to report the instruments battery voltage during each logging event. Otherwise, the battery voltage field should be disabled. “Battery Voltage” is a special field with valid values of “Off” and “On.”

- **Instrument**

“Instrument” is a sub-menu which grants access to the “Model,” “Ludlum Serial Number,” “User ID Number,” and “User Serial Number” settings to be reported by the data logging feature.

- **Model**

Enabling “Model” will cause the data logging feature to report the Ludlum Measurements model during each logging event. Otherwise, the “Model” field should be disabled. Model is a special field with valid values of “Off” and “On.”

- **Serial Number**

Enabling “Serial Number” will cause the data logging feature to report the Ludlum Measurements serial number during each logging event. Otherwise, the serial number field should be disabled. “Serial Number” is a special field with valid values of “Off” and “On.”

- **User ID Number**

Enabling “User ID Number” will cause the data logging feature to report the user ID number assigned by the user during each logging event. Otherwise, the user ID number field should be disabled. “User ID Number” is a special field with valid values of “Off” and “On.”



- **User Serial Number**

Enabling “User Serial Number” will cause the data logging feature to report the user serial number assigned by the user during each logging event. Otherwise, the user serial number field should be disabled. “User Serial Number” is a special field with valid values of “Off” and “On.”

- **Readings**

“Readings” is a sub-menu which grants access to the instrument readings to be reported by the data logging feature. This includes both the rate and integrated dose readings.

- **Reading**

Enabling “Reading” will cause the data logging feature to report the current rate reading during normal logging events. The value of “Reading” can also report other values depending on the event type. For instance, if reporting the integrated dose (Event Type = 2) on power-down is enabled, “Reading” will represent the integrated dose value if enabled. If the reading is not to be reported, the field should be disabled. “Reading” is a special field with valid values of “Off” and “On.”

- **Reading Multiplier**

Enabling “Reading Multiplier” will cause the data logging feature to report the current rate reading multiplier during normal logging events. The value of “Reading Multiplier” can also report other values depending on the event type. For instance, if reporting the integrated dose (Event Type = 2) on power-down is enabled, “Reading Multiplier” will represent the integrated dose multiplier if enabled. If the reading multiplier is not to be reported, the field should be disabled. “Reading Multiplier” is a special field with valid values of “Off” and “On.”

- **Reading Units**

Enabling “Reading Units” will cause the data logging feature to report the current rate reading units during normal logging events. The value of “Reading Units” can also report other values depending on the event type. For instance, if reporting the integrated dose (Event Type = 2) on power-down is enabled, “Reading Units” will represent the integrated dose units if enabled. If the reading units are not to be reported, the field should be disabled. “Reading Units” is a special field with valid values of “Off” and “On.”

- **Integrated Reading**

Enabling “Integrated Reading” will cause the data logging feature to report the current integrated dose reading during normal logging events. Otherwise, the field should be disabled. “Integrated Reading” is a special field with valid values of “Off” and “On.”

- **Integrated Multiplier**

Enabling “Integrated Multiplier” will cause the data logging feature to report the current integrated dose multiplier during normal logging events. Otherwise, the field should be disabled. “Integrated Multiplier” is a special field with valid values of “Off” and “On.”

- **Integrated Units**

Enabling “Integrated Units” will cause the data logging feature to report the current integrated dose units during normal logging events. Otherwise, the field should be disabled. “Integrated Units” is a special field with valid values of “Off” and “On.”

## 6.5 Display

“Display” menu allows the user to set up the views associated with the 9DP. The 9DP comes pre-configured with four views, identical in every detail with the exception of the units.

### 6.5.1 Setup

“Setup” is a sub-menu allowing access to the “Power Up Mode” and “Current View” associated with the measurement view of the 9DP.

#### **Power Up Mode**

“Power Up Mode” represents the state in which the measurement view will operate when power is applied to the instrument. “Power Up Mode” is a special field.

The definitions of the display power-up modes are:

**Default:** was pre-defined by Ludlum Measurements and is “View 1.”

**Last:** indicates that the instrument will power up in the same “Operating Mode” the instrument was using at the time the instrument was last powered down.

**View 1:** The instrument will power up in “View 1: R/hr”.

**View 2:** The instrument will power up in “View 2: Sv/h”.

**View 3:** The instrument will power up in “View 3: Gy/h”.

**View 4:** The instrument will power up in “View 4: rem/h”.

### Current View

“Current View” represents the current operating mode for the measurement view. “Current View” is a special field with valid values of “View 1,” “View 2,” “View 3,” and “View 4.”

### 6.5.2 View 1: R/hr

“View 1: R/hr” is a sub-menu allowing access to the “Appearance,” “Functions,” “Alerts,” and “Alarms” associated with the “View 1: R/hr”.

#### Appearance

“Appearance” is a sub-menu allowing access to the “Background Color” and “Foreground Color” associated with “View 1: R/hr.”

- **Background Color**

“Background Color” represents the color of the background of View 1. “Background Color” is a special field with valid values of “White,” “Yellow,” “Light Magenta,” “Light Red,” “Light Cyan,” “Light Green,” “Light Blue,” “Dark Gray,” “Light Gray,” “Brown,” “Magenta,” “Red,” “Cyan,” “Green,” “Blue,” “Bright Yellow,” “Bright Magenta,” “Bright Red,” “Bright Cyan,” “Bright Green,” “Bright Blue,” “Black,” and seven shades of gray.

- **Foreground Color**

“Foreground Color” represents the color of the foreground of View 1. “Foreground Color” is a special field with valid values of “White,” “Yellow,” “Light Magenta,” “Light Red,” “Light Cyan,” “Light Green,” “Light Blue,” “Dark Gray,” “Light Gray,” “Brown,” “Magenta,” “Red,”

“Cyan,” “Green,” “Blue,” “Bright Yellow,” “Bright Magenta,” “Bright Red,” “Bright Cyan,” “Bright Green,” “Bright Blue,” “Black,” and seven shades of gray.

### Functions

“Functions” is a sub-menu allowing the user to set up the four functions that may be accessed via the function key on the instrument keypad while in View 1.

Each instrument can store up to four functions. These functions are stored at the instrument level (see Section 6.6). At the view level, the user may select as many as four functions to have access to, via the Function key on the instrument keypad. The instrument comes pre-configured with access to the two default instrument functions.

- **FCN 1: <function name>**

“FCN 1” is a sub-menu that allows access to Function 1 of the current view, including the function selected and the function enabled.

“FCN 1” represents the instrument function selected for the current view. “FCN 1” is a special field and valid values include “Integrate,” “Peak Rate,” and any additional functions that may have been added since the instrument left the factory.

“No Function” is an indication that an existing instrument function location is selected; however, no function has been loaded into the instrument function location.

“- empty -“ is an indication that no instrument function location has been selected and the function is therefore empty.

- **FCN 1: Enable**

“FCN 1: Enable” represents the ability to enable the current function for the current view. If the function is disabled, the function will no longer be viewable when pressing the function key on the keypad. “FCN 1: Enable” is a special field with valid values of “On” or “Off.”

- **FCN 2: <function name>**

“FCN 2” is a sub-menu that allows access to Function 2 of the current view, including the function selected and the function enabled.

“FCN 2” represents the instrument function selected for the current view. “FCN 2” is a special field and valid values include “Integrate,” “Peak Rate,” and any additional functions that may have been added since the instrument left the factory.

“No Function” is an indication that an existing instrument function location is selected; however, no function has been loaded into the instrument function location.

“- empty -“ is an indication that no instrument function location has been selected and the function is therefore empty.

- **FCN 2: Enable**

“FCN 2: Enable” represents the ability to enable the current function for the current view. If the function is disabled, the function will no longer be viewable when pressing the function key on the keypad. “FCN 2: Enable” is a special field with valid values of “On” or “Off.”

- **FCN 3: - empty -**

“FCN 3” is a sub-menu that allows access to Function 3 of the current view, including the function selected and the function enabled.

- **FCN 3: <function name>**

“FCN 3” represents the instrument function selected for the current view. “FCN 3” is a special field, and valid values include “Integrate,” “Peak Rate,” and any additional functions that may have been added since the instrument left the factory.

“No Function” is an indication that an existing instrument function location is selected; however, no function has been loaded into the instrument function location.

“- empty -“ is an indication that no instrument function location has been selected, and the function is therefore empty.

- **FCN 3: Enable**

“FCN 3: Enable” represents the ability to enable the current function for the current view. If the function is disabled, the function will no longer

be viewable when pressing the function key on the keypad. “FCN 3: Enable” is a special field with valid values of “On” or “Off.”

- **FCN 4: - empty -**

“FCN 4” is a sub-menu that allows access to Function 4 of the current view, including the function selected and the function enabled.

- **FCN 4: <function name>**

“FCN 4” represents the instrument function selected for the current view. “FCN 4” is a special field and valid values include “Integrate,” “Peak Rate,” and any additional functions that may have been added since the instrument left the factory.

“No Function” is an indication that an existing instrument function location is selected; however, no function has been loaded into the instrument function location. “- empty -” is an indication that no instrument function location has been selected, and the function is therefore empty.

- **FCN 4: Enable**

“FCN 4: Enable” represents the ability to enable the current function for the current view. If the function is disabled, the function will no longer be viewable when pressing the function key on the keypad. “FCN 4: Enable” is a special field with valid values of “On” or “Off.”

### Alerts

“Alerts” is a sub-menu allowing access to the “Radiation” and “Integration” alerts associated with “View 1: R/hr”.

**Note:** When both Radiation and Integration alerts are enabled, only the first alert will have audio indication.

- **Radiation**

“Radiation” is a sub-menu allowing access to the “Enable,” “Value,” “Multiplier,” and “Units” associated with the radiation alert for View 1.

If the alert is enabled, the instrument will generate an alert message and tone when the current view radiation rate is equal to the value represented by the “Value,” “Multiplier,” and “Units” associated with the alert.

**Note:** The error associated with displaying the radiation rate on the measurement view is one numerical unit. As a result, an alert value of 20 mR/hr may appear to generate an alert when the radiation rate displayed is between 19.9 and 20.1 mR/hr; however, the detected radiation rate was 20.0 mR/hr.

- **Enable**

“Enable” represents the ability to enable the radiation rate alert for the current view. “Enable” is a special field and valid values include “Off” and “On.”

- **Value**

“Value” represents the numerical value of the radiation rate alert given the supplied multiplier and units. “Value” is a numeric field with valid values from 0 to 999.

- **Multiplier**

“Multiplier” represents the multiplier associated with the radiation rate alert. “Multiplier” is a special field with valid values of micro, milli, unity, kilo, and mega.

- **Units**

“Units” represents the units associated with the radiation rate alert. “Units” is a non-editable field as it must be equal to the units associated with the current view measurement rate.

- **Integration**

“Integration” is a sub-menu allowing access to the “Enable,” “Value,” “Multiplier,” and “Units” associated with the integration alert for View 1.

If the alert is enabled, the instrument will generate an alert message and tone when the current integrated dose is equal to value represented by the “Value,” “Multiplier,” and “Units” associated with the alert.

**Note:** The error associated with displaying the integrated dose on the measurement view is one numerical unit. As a result, an alert value of 200 uR may appear to generate an alert when the integrated dose is between 199.9 and 200.1 uR; however, the actual detected integrated dose was 200.0 uR.

- **Enable**

“Enable” represents the ability to enable the integrated dose alert for the current view. “Enable” is a special field and valid values include “Off” and “On.”

- **Value**

“Value” represents the numerical value of the integrated dose alert given the supplied multiplier and units. “Value” is a numeric field with valid values from 0 to 999.

- **Multiplier**

“Multiplier” represents the multiplier associated with the integrated dose alert. “Multiplier” is a special field with valid values of micro, milli, unity, kilo, and mega.

- **Units**

“Units” represents the units associated with the integrated dose alert. “Units” is a non-editable field, as it must be relative to the units associated with the current view measurement rate.

### **Alarms**

“Alarms” is a sub-menu allowing access to the “Radiation” and “Integration” alarms associated with “View 1: R/hr”.

**Note:** When both Radiation and Integration alarms are enabled, only the first alarm will have audio indication.

- **Radiation**

“Radiation” is a sub-menu allowing access to the “Enable,” “Value,” “Multiplier,” and “Units” associated with the radiation alarm for View 1.

If the alarm is enabled, the instrument will generate an alarm message and tone when the current view radiation rate is equal to value represented by the “Value,” “Multiplier,” and “Units” associated with the alarm.

**Note:** The error associated with displaying the radiation rate on the measurement view is one numerical unit. As a result, an alarm value of 20mR/hr may appear to generate an alarm when the radiation rate displayed is between 19.9 and 20.1 mR/hr; however, the detected radiation rate was 20.0 mR/hr.



- **Enable**

“Enable” represents the ability to enable the radiation rate alarm for the current view. “Enable” is a special field and valid values include “Off” and “On.”

- **Value**

“Value” represents the numerical value of the radiation rate alarm given the supplied multiplier and units. “Value” is a numeric field with valid values from 0 to 999.

- **Multiplier**

“Multiplier” represents the multiplier associated with the radiation rate alarm. “Multiplier” is a special field with valid values of micro, milli, unity, kilo, and mega.

- **Units**

“Units” represents the units associated with the radiation rate alarm. “Units” is a non-editable field as it must be equal to the units associated with the current view measurement rate.

- **Integration**

“Integration” is a sub-menu allowing access to the Enable, “Value,” “Multiplier,” and “Units” associated with the integration alarm for View 1.

If the alarm is enabled, the instrument will generate an alarm message and tone when the current integrated dose is equal to value represented by the “Value,” “Multiplier,” and “Units” associated with the alarm.

**Note:** The error associated with displaying the integrated dose on the measurement view is one numerical unit. As a result, an alarm value of 200 uR may appear to generate an alarm when the integrated dose is between 199.9 and 200.1 uR; however, the actual detected integrated dose was 200.0 uR.

- **Enable**

“Enable” represents the ability to enable the integrated dose alarm for the current view. “Enable” is a special field and valid values include “Off” and “On.”

- **Value**

“Value” represents the numerical value of the integrated dose alarm given the supplied multiplier and units. “Value” is a numeric field with valid values from 0 to 999.

- **Multiplier**

“Multiplier” represents the multiplier associated with the integrated dose alarm. “Multiplier” is a special field with valid values of micro, milli, unity, kilo, and mega.

- **Units**

“Units” represents the units associated with the integrated dose alarm. “Units” is a non-editable field as it must be equal to the units associated with the current view measurement rate.

### **6.5.3 View 2: Sv/h**

“View 2: Sv/h” is a sub-menu allowing access to the “Appearance,” “Functions,” “Alerts,” and “Alarms” associated with “View 2” Sv/h”. The menu features are identical to the menu features for view 1 (see section 6.5.2).

### **6.5.4 View 3: Gy/h**

“View 3: Gy/h” is a sub-menu allowing access to the “Appearance,” “Functions,” “Alerts,” and “Alarms” associated with “View 3: Gy/h”. The menu features are identical to the menu features for View 1 (see section 6.5.2).

### **6.5.5 View 4: rem/h**

“View 4: rem/h” is a sub-menu allowing access to the “Appearance,” “Functions,” “Alerts,” and “Alarms” associated with “View 4: rem/h”. The menu features are identical to the menu features for View 1 (see section 6.5.2).

## 6.6 Functions

“Functions” menu allows the user to view the instrument functions associated with the 9DP. The 9DP comes pre-configured with two functions and can be modified to include two additional functions.

### 6.6.1 FCN 1: Integrate

“FCN 1” represents the function associated with instrument Function 1. The 9DP comes pre-configured with “Integrate” programmed as Function 1. “FCN 1” is a non-editable field.

### 6.6.2 FCN 2: Peak Rate

“FCN 2” represents the function associated with instrument Function 2. The 9DP comes pre-configured with the “Peak Rate” programmed as Function 2. “FCN 2” is a non-editable field.

### 6.6.3 FCN 3: No Function

“FCN 3” represents the function associated with instrument Function 3. The 9DP does not have a Function 3 pre-configured. Additional functions that may be loaded into the unused function spot will be available soon. “FCN 3” is a non-editable field.

### 6.6.4 FCN 4: No Function

“FCN 4” represents the function associated with instrument Function 4. The 9DP does not have a Function 4 pre-configured. Additional functions that may be loaded into the unused function spot will be available soon. “FCN 4” is a non-editable field.

**Section****7**

---

**Data Logging**

---

The 9DP is capable of logging instrument information to a file onto a portable USB memory storage device at a pre-defined interval in a CSV (comma separate value) format.

**7.1 Data Description**

Below is a list of all of the data that may be recorded in the log file.

**Event**

“Event” is a numerical counter which increments with each log event. If the memory stick is removed from the instrument at any time during data logging, the event counter will reset to 1 when the memory stick is reconnected to the instrument. Event is a numerical value from 1 to 4294967295 and is always included in the log file.

**Type**

“Type” is a text value which indicates the type of event that is being recorded. If data logging is enabled, all events which occur at the preset interval are defined as Log events. If data logging of the “Integrate” feature is requested (see Section 6.4.1), these events will be defined as Dose events. “Type” is always included in the log file.

**Date**

“Date” is a text value which indicates the instrument stored date when the event occurred. “Date” is in the format *MM/DD/YYYY*. To set the date, see Section 6.2.3.

**Time**

“Time” is a text value which indicates the instrument stored time when the event occurred. “Time” is in the format *HH:MM:SS* and is reported in 24-hour mode. To set the time, see Section 6.2.4.

**Model**

“Model” is a text value which indicates the model as defined by Ludlum Measurements. “Model” may contain up to 16 alpha-numeric characters.

**Serial Number**

“Serial Number” is a text value which indicates the serial number defined by Ludlum Measurements before the instrument left the manufacturing facility. “Serial Number” may contain up to 16 alpha-numeric characters.

**User ID Number**

“User ID Number” is a text value which is assigned by the user and may contain up to 16 alpha-numeric characters. To set “User ID Number,” see Section 6.4.2.5.2.3.

**User Serial Number**

“User Serial Number” is a text value which is assigned by the user and may contain up to 16 alpha-numeric characters. To set “User Serial Number”, see Section 6.4.2.5.2.4.

**Chamber Temperature**

“Chamber Temperature” is a numerical value representing the ion chamber temperature in degrees Celsius. “Chamber Temperature” is in the format *XX.X*.

**High Voltage**

“High Voltage” is a numerical value representing the ion chamber wall voltage in volts. “High Voltage” is in the format *-XX.X*.

### **Battery Voltage**

“Battery Voltage” is a numerical value representing the internal battery pack voltage (or the wall charger supply voltage if the wall charger is connected at the time of the reading). “Battery Voltage” is in the format *X.XX*.

### **Reading**

“Reading” is a numerical value representing the reading associated with the event type. If the event type is “Log,” the reading will represent the last rate displayed on the measurement view. If the event type is “Dose,” the reading will represent the last integrated dose reading at the time of the event. In either case, “Reading” is in the format *XXX.X*.

### **Reading Multiplier**

“Reading Multiplier” is a numerical value representing the reading multiplier associated with the event type. If the event type is “Log,” the reading multiplier will represent the lowest possible multiplier for the rate reading (typically micro). As a result, rate readings will always have the same “Reading Multiplier.” If the event type is “Dose,” the reading will represent the integrated dose reading multiplier defined by the “Integrate” feature at the time of the event. In either case, “Reading Multiplier” is in the format *X.XXEX*.

### **Reading Units**

“Reading Units” is a text value representing the reading units associated with the event type. If the event type is “Log,” the reading units will represent the last rate units displayed on the measurement view. If the event type is “Dose,” the reading will represent the last integrated dose reading units at the time of the event.

### **Integrate Reading**

“Integrate Reading” is a numerical value representing the reading associated with the Integrate feature. “Integrate Reading” is in the format *XXX.X*. For more information, see Section 6.4.1.6.1.

### **Integrate Multiplier**

“Integrate Multiplier” is a numerical value representing the multiplier associated with the Integrate feature. “Integrate Multiplier” is in the format *X.XXEX*. For more information, see Section 6.4.1.6.2.

## Integrate Units

“Integrate Units” is a text value representing the units associated with the Integrate feature. For more information, see Section 6.4.1.6.3.

## 7.2 Setup

Perform the following steps to set up “Data Logging.”

### 1. Setup Logged Data

To set up what data may be viewed in the data logging report, refer to Section 6.4.2.5. Move through each section in the menu and enable all of the data that should be reported.

### 2. Setup Sample Period

Once all of the data that is to be reported has been selected, determine how often the data should be written to the file by setting the sample period. Refer to Section 6.4.2.4 for more details.

### 3. Setup Delay On Power Up

Once the sample period has been selected, determine how long to wait before the first data is recorded. This delay refers to the amount of time after powering up the instrument with the memory stick connected, amount of time to delay after the memory stick has been inserted into the instrument, or the amount of time to wait after Data Logging has been enabled. Refer to Section 6.4.2.3 for more details.

### 4. Setup Operating Mode

Operating mode will immediately enable or disable Data Logging. When the instrument is turned off, this value will be saved in internal memory. The next time power is applied, the instrument will look at the value of “Power Up Mode” to determine the status of the Data Logging feature. If the value of “Operating Mode” is “Last,” the instrument will resume operation based on the stored value of “Operating Mode.” See Section 6.4.2.2 for more details.

### 5. Setup Power Up Mode

Any time power is applied to the instrument, the instrument will look at “Power Up Mode” to determine if the data logging will be enabled or disabled. If the value of “Operating Mode” is “Last,” the instrument will resume operation based on the previously stored value of “Operating Mode.” See Section 6.4.2.1 for more details.

## 7.3 Operation

Once the setup is complete, insert the memory stick into the USB port. The thumb drive icon will appear to let the user know that the instrument has detected the memory stick and is ready. Only when the memory stick is detected will the instrument begin to log data.

After waiting for the period of time defined by “Delay On Power Up,” the instrument will create a file named “output.txt” and will write a line of text to the file which is the file header. The file header provides a general description of each column of information that will be recorded to the file and is also comma delimited.

**Note:** If “output.txt” already exists on the memory stick, the instrument will append the new header and data to the end of the existing file.

The instrument will immediately follow the file header with the first line of recorded data. If the instrument is configured to log the integrated dose on power up, this will be the first line of data. Otherwise, the data that will be reported will be the readings defined by the data logging feature. The instrument will now record data at the pre-defined interval defined by “Sample Period.”

## 7.4 Data

After turning off the instrument power, remove the memory stick from the USB port. Insert the memory stick into a personal computer and locate the file on the memory stick named “output.txt”. The file may be opened as a text file or it may be imported into a spreadsheet.

Below is an example report.

```
Event,Type,Date,Time,Model,Serial #,Reading,Multiplier,Units
1,Dose,02/24/2012,13:05:54,9DP,25001859,137.4,1E-06,R
3,Log,02/24/2012,13:05:54,9DP,25001859,34.2,1E-06,R/hr
4,Log,02/24/2012,13:06:09,9DP,25001859,16.1,1E-06,R/hr
5,Log,02/24/2012,13:06:24,9DP,25001859,13.3,1E-06,R/hr
6,Log,02/24/2012,13:06:39,9DP,25001859,13.6,1E-06,R/hr
7,Log,02/24/2012,13:06:54,9DP,25001859,15.9,1E-06,R/hr
8,Dose,02/24/2012,13:07:08,9DP,25001859,137.6,1E-06,R
```



**Section****8****Battery Power**

The unit is powered by eight “AA” NiMH (nickle-metal hydride) rechargeable batteries. Use of rechargeable batteries helps to keep operating costs down.

Battery life largely depends upon the LCD backlighting and USB port usage, resulting in a range spanning between 12 to 30 hours. A typical scenario at 60% backlighting and not using the USB port will result in battery life of almost 19 hours. At zero backlighting, as in the case of outdoor operation under good sunlight conditions, with no USB activity, the battery life will attain nearly 30 hours.


It is important to note that this instrument design consumes power even when the instrument is shut off. A very miniscule supply of power is consumed by the microprocessor to allow sensing of the power-on button command by the user. The battery will therefore drain after 2-3 months even with no usage.

A wall outlet type battery charger is supplied with the instrument and includes multiple plug adaptors to accommodate the different styles used throughout the world. The adaptor is easily changed out by pressing the button labeled “PUSH” on the charger below the plug adaptor, which releases it to be slid out. Then one can slide in the adaptor until it snaps for the style needed.



The power charger input accommodates 108-240 V at between 50/60 Hz. The output is 15.0 V at 1600 mA. To ensure proper charging, do not use chargers with other specifications than those listed above. Charging circuitry to monitor battery levels and protect the NiMH batteries from over-charging is all built into the Ludlum instrument.



The instrument power charge receptacle is located on the backside of the instrument just beneath the handle and to the right. It has a small spring-loaded door to keep moisture out. To plug the power adaptor into the receptacle, simply raise the cover and insert the adapter. With the instrument turned off, there is no visual indication that charging is taking place either on the instrument or on the supplied charger. By turning on the instrument, the battery icon  will appear with the red lightning bolt indicating charging is actually taking place. There is no harm in leaving the charger connected for periods longer than is necessary to fully charge the battery pack. The instrument includes circuitry that will automatically regulate the power output so the batteries are never over-charged.

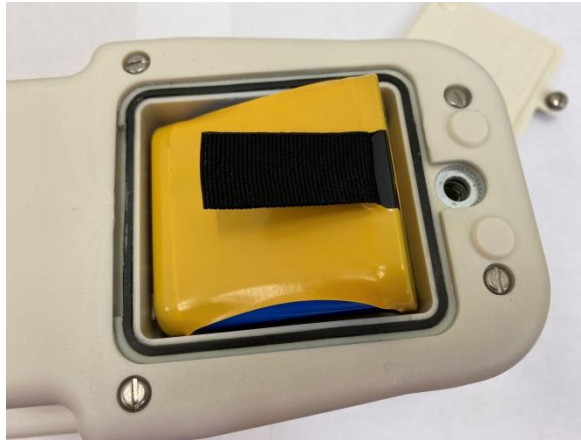
The battery compartment is located on the bottom side of the instrument and has a cover plate, which can be removed by a quarter-turn twisting screw. Removing the battery pack can be accomplished by pulling the pull-tab ribbon.

An optional alkaline battery pack (Part Number: 4543-028) is available for extended emergency field use in the event that you need to extend operating hours between charges. This battery pack facilitates exchanging AA alkaline as often as required. With this battery pack inserted, charging is prevented even when the charger is plugged into the instrument power receptacle.

## 8.1 Battery Installation

1. Find the battery access door located at the bottom of the Model 9DP.
2. The battery cover is held on by a single screw. Give the screw a quarter of a turn with a screwdriver, and the door will pop up.
3. Lift the cover up and remove it.
4. Place the battery pack inside the battery compartment by matching the four connectors on the pack to the contacts inside, making contact once in the compartment. Then snap the other half of the pack inside.
5. Once the battery pack is snug, replace the cover and turn the screw a quarter of a turn to fasten.

**Note:** Allow the instrument to sit with batteries installed for at least 24 hours before use. This will give the instrument time to charge.



*The location of the battery compartment is shown above. See the manual for instructions on battery removal.*

## 8.2 Battery Test

Even when the instrument is turned off, it continues to draw a very miniscule amount of power in order to continually monitor the control panel while waiting for the power-on command and supplying wall voltage to the ion chamber. When

fully charged, the battery pack in the OFF state will last for 2-3 months before needing to be recharged.

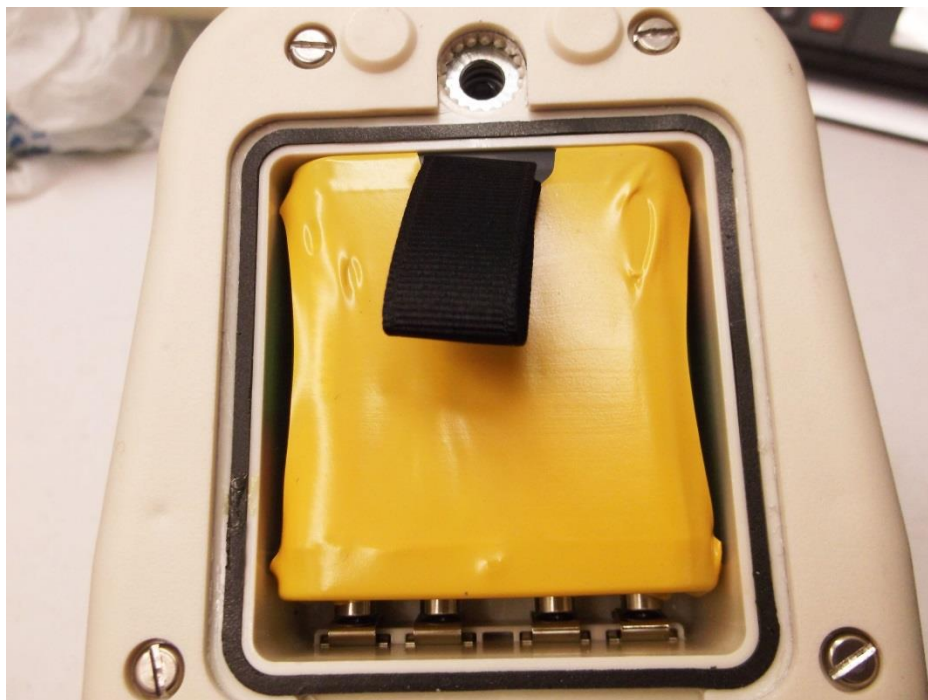
A quick check of the battery status can be made by pressing the Power On pushbutton momentarily (see furthest left-hand button on the control panel). The screen should wake up after about four seconds and go through two start-up views before finally settling onto the measurement view. If upon attempting power start-up the LCD remains blank, proceed with charging the instrument as all the power may have already been drained.

Once the measurement view is presented, a battery icon on the lower, left-hand part of the screen is displayed. The battery icon is segmented into five parts with each segment representing 20% of the battery life. The depletion rate will be according to the backlighting and USB consumption as explained earlier in this section. With experience under your operating conditions, you will begin to have a good idea about how long the battery charges last. Dividing that time period by 5 will then approximate the time per cell.

Color coding is employed to indicate battery level. With all five cells colored green, the battery is indicating a full charge or near full charge. As the battery depletes, each succeeding cell beginning on the right going left, changes its color from green to the screen background color, signifying it has emptied. When only two cells remain (40% of battery life), they both turn to yellow to warn the user that time is getting short. When the power level reaches its last segment (20%), the last remaining cell segment will turn from yellow to red. Users are advised to begin shut down fairly soon at this point.

In this final state, once the power level goes below the necessary voltage, the instrument will alert the operator and then automatically shut itself down. This precautionary measure ensures all measurement data and operating parameters are stored properly prior to losing power.

### 8.3 Removing Battery Pack



Be sure the instrument is shut down before removing the battery pack. The battery access door is located at the bottom of the instrument. The battery cover is held on by a single screw. Simply give the screw a quarter of a turn, and the door will pop up. Lift up the cover and remove it to fully expose the battery pack. Lift the battery pull-tab to lift out the battery pack. The battery pack snugly fits but comes out without much effort.

### 8.4 Optional Alkaline Battery Pack

Ludlum offers an optional battery pack that utilizes “AA” size alkaline batteries in lieu of the supplied NiMH type for extended use of the instrument if you cannot wait to recharge. See Options, Section 11, for more detail.

#### **Warning!**

Do not attempt to replace the NiMh batteries in the rechargeable battery pack with alkaline batteries. An explosion could occur if the instrument is plugged into the wall charger. A non-rechargeable battery pack is available from Ludlum Measurements, Inc.

**Section****9****Operational Test**

---

To assure proper operation of the instrument between calibrations and periods of non-use, an instrument operational check, including battery test, should be performed prior to use.

The battery test is as described in Section 8.1.



An operational test is performed by placing a radioactive check source against the detector to induce an upscale reading. Ludlum recommends a 10  $\mu\text{Ci}$   $^{137}\text{Cs}$  check source for this purpose. This is an exempt quantity in the USA so no license is required to purchase and receive this source. You can purchase it from Ludlum by ordering Part Number 01-5231. Several other countries only permit 0.25  $\mu\text{Ci}$   $^{137}\text{Cs}$  as an exempt status, so check your local regulations.

A reference reading with your check source should be obtained at the time of initial calibration or as soon as possible and recorded for all future comparisons. If the instrument subsequently fails to read within 20% of the reference reading, it should be sent to a calibration facility for recalibration.

A 10  $\mu\text{Ci}$   $^{137}\text{Cs}$  source should result in a reading in or near the mR scale range.

To verify operation, turn on the instrument and allow it to stabilize for approximately 30 seconds. Once this procedure has been completed, the instrument is ready for use.

**Section****10**

## **Hazardous Material Shipping Classification**

---

The Model 9DP's ion chamber is considered a pressurized vessel, and falls under shipping regulations. In the US, shipping the Model 9DP requires a person properly trained in Hazmat shipping regulations. It is the shipper's responsibility to comply with Department of Transportation (DOT), International Air Transport Association (IATA), International Maritime Dangerous Goods (IMDG), or other regulations. The following is intended as guidance in three broad areas.

### **Domestic (US) Ground Shipments - 49 CFR (Code of Federal Regulations):**

1. Keep a copy of the special permit in this section at each location the Model 9DP ships from.
2. Package the instrument in the original box, or in an equivalent strong package (32 pounds edge-crush minimum and 200 pounds burst strength) and use at least 2 inches of packing material on all sides of the instrument.
3. Mark the outside of the box with "INSIDE CONTAINER(S) CONFORM WITH DOT-SP 15156."
4. Generate a "Shippers Declaration for Dangerous Goods," per DOT 49CFR.

**EXCEPTION FOR WORKER:** This regulation includes an exception for a worker, who uses the Ludlum Model 9DP in his course of work, to transport the instrument under certain conditions. The exception is 49 CFR 173.6, section (a)(2), referencing a Division 2.2 material in a cylinder, which applies to a Model 9DP. As long as a worker complies with other provisions in this regulation, such as packaging precautions stated above, the worker is allowed to transport the Ludlum Model 9DP as a material of trade, without following the normal requirements for hazardous goods.

**Domestic (US) Air Shipments:**

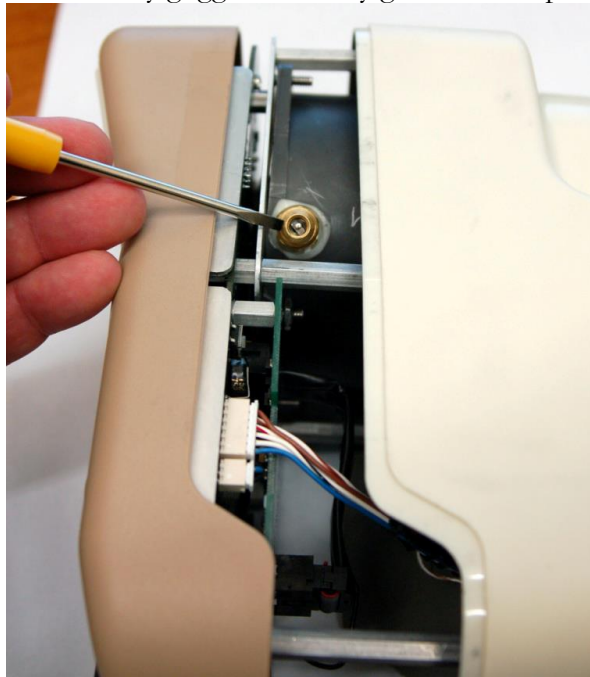
1. Follow the previous steps.
2. Mark the outside of the shipping box with a DOT class 2 non-flammable gas label (green) and “UN1956.”
3. Keep a copy of the special permit for the carrier or attach to shipping box.

**International Shipments:**

Follow the above steps, but generate the “Shippers Declaration for Dangerous Goods,” per IATA (International Air Transport Association) rules. For instruments returning to Ludlum for calibration (or repair), it is possible to release the counting gas within the instrument by a simple procedure and avoid all the regulatory issues. **Note that this action means that as-found readings, which are normally required, will not be possible.** There is an added fee (contact Ludlum) for replacing the gas; however, it may be more convenient and cost-effective overall than shipping Hazmat.

## 10.1 Depressurization Procedure

By employing this procedure, there are no special shipping/handling criteria for shipping this instrument. Depressurization of the detector chamber is performed by releasing the gas through the built-in valve, which uses a valve core, similar to the cores used in bicycle and automotive tires. It is best to utilize safety goggles or safety glasses while performing this procedure.





**Step 1**

Be sure the instrument is shut down, and then remove the batteries. The battery access door is located at the bottom of the instrument. The battery cover is held on by a single screw. Simply give the screw a quarter-turn, and the door will pop up. Lift up the cover and remove it in order to fully expose the battery. The battery fits snugly but comes out without too much effort by pulling the pull-tab ribbon.

**Step 2**

Remove the six screws from the outer perimeter of the bottom case. Be sure to keep the two halves of the instrument together while removing all the screws.

**Step 3**

There is an interconnecting cable running between the upper and lower assemblies, so be sure to not separate the upper and lower half assemblies too far and accidentally pull out the cable/connector. By exercising a little care, you will not need to undo the connector to perform this procedure. Slowly separate the upper and lower half of the instrument just 5.1 cm (2 in.) apart and lay it down on its left side. You will see the valve conveniently positioned on the detector chamber as noted in the picture shown in this section.

**Step 4**

Remove the valve cover, and then while holding the instrument securely in one hand, use the flat-head screw driver to press down on the valve stem slowly and release all the gas. Be sure to hold the instrument down so that it stays in place while you are releasing the gas. Also be sure to keep your head and eyes clear of the gas exiting the chamber. Continue pressing the valve stem until you stop hearing gas releasing.

**Step 5**

Replace the valve cover, and then carefully rejoin the two half assemblies together, again ensuring the interconnecting cable is all inside the enclosure so it does not get pinched. Re-insert all six screws making certain to not over-tighten them. Finally, insert the battery and battery cover.

## 10.2 Transportation Special Permit

*See following pages for Department of Transportation Special Permit.*



U.S. Department  
of Transportation

**Pipeline and Hazardous  
Materials Safety  
Administration**

August 18, 2023

1200 New Jersey Avenue, SE  
Washington, DC 20590

DOT-SP 15156  
(FOURTH REVISION)

**EXPIRATION DATE: 2027-07-31**

(FOR RENEWAL, SEE 49 CFR 107.109)

1. **GRANTEE:** Ludlum Measurements Inc.  
Sweetwater, TX
2. **PURPOSE AND LIMITATIONS:**
  - a. This special permit authorizes the manufacture, mark, sale and use of non-DOT specification packaging described as a radiation detection survey meter containing a plastic ionization chamber for the transportation in commerce of certain Division 2.2 materials authorized by this special permit. This special permit provides no relief from the Hazardous Materials Regulations (HMR) other than as specifically stated herein. The most recent revision supersedes all previous revisions.
  - b. The safety analyses performed in development of this special permit only considered the hazards and risks associated with transportation in commerce. The safety analyses did not consider the hazards and risks associated with consumer use, use as a component of a transport vehicle or other device, or other uses not associated with transportation in commerce.
  - c. In accordance with 49 CFR 107.107(a) party status may not be granted to a manufacturing permit. These packagings may be used in accordance with 49 CFR 173.22a.
3. **REGULATORY SYSTEM AFFECTED:** 49 CFR Parts 106, 107 and 171- 180.
4. **REGULATIONS FROM WHICH EXEMPTED:** 49 CFR § 172.301(c) in that the marking requirements are waived, § 172.400 in that labeling is not required except when transported by aircraft, § 172.504 in that placarding is not required and § 173.310, in that the plastic ionization chamber is not an authorized packaging, except as specified herein.

Tracking Number: 2023075558

Continuation of DOT-SP 15156 (4<sup>th</sup> Rev.)

Page 2  
August 18, 2023

- 5. BASIS: This special permit is based on the application of Ludlum Measurements Inc. dated July 27, 2023, and submitted in accordance with § 107.109.
- 6. HAZARDOUS MATERIALS (49 CFR 172.101):

Hazardous Material Description			
Proper Shipping Name	Hazard Class/ Division	Identification Number	Packing Group
Compressed gas, n.o.s.	2.2	UN1956	N/A

7. SAFETY CONTROL MEASURES:

a. PACKAGING: Packaging prescribed is a non-DOT specification radiation detection survey meter (instrument) containing a plastic ionization chamber (pressure vessel). The ionization chamber has a design (operating) pressure of 117 psig with a minimum factor of safety (burst to design pressure ratio) of 4. The ionization chamber has a maximum base diameter of 3.215 inches and a maximum volume of 300 cubic cm water capacity. The instrument must conform to Ludlum Measurements drawings and documents on file with the Office of Hazardous Materials Safety (OHMS).

b. OPERATIONAL CONTROLS:

- (1) Pressure vessels manufactured under this special permit are not authorized for use seven (7) years after the date of manufacture.
- (2) Each instrument must be packaged in a strong outside packaging as prescribed in § 173.301(a)(9).
- (3) Each outside packaging must be marked "INSIDE CONTAINERS CONFORM WITH DOT-SP 15156".
- (4) Emergency response information provided with the shipment, and available via an emergency response telephone number, must indicate that instruments are not fitted with pressure relief devices and provide appropriate guidance for exposure to fire.

Continuation of DOT-SP 15156 (4<sup>th</sup> Rev.)Page 3  
August 18, 20238. SPECIAL PROVISIONS:

a. In accordance with the provisions of Paragraph (b) of § 173.22a, persons may use the packaging authorized by this special permit for the transportation of the hazardous materials specified in paragraph 6, only in conformance with the terms of this special permit.

b. A person who is not a holder of this special permit, but receives a packaging covered by this special permit, may reoffer it for transportation provided no modification or change is made to the packaging and it is offered for transportation in conformance with this special permit and the HMR.

c. A current copy of this special permit must be maintained at each facility where the package is offered or reoffered for transportation.

d. Each packaging manufactured under the authority of this special permit must be either (1) marked with the name of the manufacturer and location (city and state) of the facility at which it is manufactured or (2) marked with a registration symbol designated by the Office of Hazardous Materials Safety for a specific manufacturing facility.

e. A current copy of this special permit must be maintained at each facility where the packaging is manufactured under this special permit. It must be made available to a DOT representative upon request.

f. Except when offered for transportation by air:

(1) Packages covered by this special permit are excepted from labeling requirements of Subpart E of 49 CFR Part 172.

(2) Shipments are not subject to the placarding requirements of Subpart F of 49 CFR Part 172.

9. MODES OF TRANSPORTATION AUTHORIZED: Motor vehicle, cargo aircraft, cargo vessel, passenger-ferry vessel, passenger-carrying aircraft, rail freight.

10. MODAL REQUIREMENTS: A current copy of this special permit must be carried aboard each cargo vessel, aircraft or motor vehicle used to transport packages covered by this special permit. The shipper must furnish a copy of this special permit to the air carrier before or at the time the shipment is tendered.

11. COMPLIANCE: Failure by a person to comply with any of the following may result in suspension or revocation of this special permit and penalties prescribed by the Federal hazardous materials transportation law, 49 U.S.C. 5101 et seq:

Continuation of DOT-SP 15156 (4<sup>th</sup> Rev.)Page 4  
August 18, 2023

- o All terms and conditions prescribed in this special permit and the Hazardous Materials Regulations, 49 CFR Parts 171-180.
- o Persons operating under the terms of this special permit must comply with the security plan requirement in Subpart I of Part 172 of the HMR, when applicable.
- o Registration required by § 107.601 et seq., when applicable.

Each "Hazmat employee", as defined in § 171.8, who performs a function subject to this special permit must receive training on the requirements and conditions of this special permit in addition to the training required by §§ 172.700 through 172.704.

No person may use or apply this special permit, including display of its number, when this special permit has expired or is otherwise no longer in effect.

Under Title VII of the Safe, Accountable, Flexible, Efficient Transportation Equity Act: A Legacy for Users (SAFETEA-LU)—“The Hazardous Materials Safety and Security Reauthorization Act of 2005” (Pub. L. 109-59), 119 Stat. 1144 (August 10, 2005), amended the Federal hazardous materials transportation law by changing the term “exemption” to “special permit” and authorizes a special permit to be granted up to two years for new special permits and up to four years for renewals.

12. **REPORTING REQUIREMENTS:** Shipments or operations conducted under this special permit are subject to the Hazardous Materials Incident Reporting requirements specified in 49 CFR §§ 171.15 Immediate notice of certain hazardous materials incidents, and 171.16 Detailed hazardous materials incident reports. In addition, the grantee(s) of this special permit must notify the Associate Administrator for Hazardous Materials Safety -- OHMSPA, in writing, of any incident involving a package, shipment or operation conducted under terms of this special permit.

Issued in Washington, D.C.:



for William Schoonover  
Associate Administrator for Hazardous Materials Safety

Address all inquiries to: Associate Administrator for Hazardous Materials Safety, Pipeline and Hazardous Materials Safety Administration, U.S. Department of Transportation, East Building PHH-13, 1200 New Jersey Avenue, Southeast, Washington, D.C. 20590.

Continuation of DOT-SP 15156 (4<sup>th</sup> Rev.)

Page 5  
**August 18, 2023**

Copies of this special permit may be obtained by accessing the Hazardous Materials Safety Homepage at <https://www.phmsa.dot.gov/approvals-and-permits/hazmat/special-permits-search>. Photo reproductions and legible reductions of this special permit are permitted. Any alteration of this special permit is prohibited.

PO: KH



**Section****11****Options**

---

Ludlum offers the following options for the Model 9DP.

### **11.1 Dimension Interface Kit**

This kit facilitates connecting any Dimension product to a PC operating under Windows™ for the purpose of performing setup and instrument calibration. The Ludlum PC software is an extensive program that enables complete control over the setup of any instrument and saving the configuration and calibration detail.

This program additionally performs all calibration of the instrument while connected to the PC. This is the only means whereby Dimension products can be calibrated. This kit includes a special USB adapter cable for connection between the PC and the instrument. It does not include any kind of radioactive sources for performing calibrations.

Part Number: 4293-763

### **11.2 Audio Jack Output**

The Model 9DP provides an audio output via its built-in speaker. An optional audio jack can be purchased to facilitate connection to an audio headset. This option works well whenever the ambient noise levels are too loud or when radioactive clicking sounds may not be desired, such as in an office type environment.

This option is factory installed only.

Part Number: 4293-891

## 11.3 Model 9DP Logging Spreadsheet Software Package

The Model 9DP Logging Spreadsheet Software allows the user to log real-time data from the instrument directly to an Excel spreadsheet. The software comes with configuration (.cfg) files that can be loaded onto a USB removeable storage device and inserted into the Model 9DP to easily configure the instrument to log data. A USB keyboard can also be used to configure the instrument to download. The spreadsheet then has controls to start/stop the download and to reset or zero the integrated dose. The default data shows up in columns: Time Date Stamp, Reading ( $\mu\text{R}/\text{hr}$  or  $\mu\text{Sv}/\text{h}$ ), an average for the last five readings, and an Integrated Reading ( $\mu\text{R}$  or  $\mu\text{Sv}$ ). The software has a single-user license. A special USB cable is needed, and is supplied with the package or can be purchased separately.

Part Number: 4293-998

## 11.4 Alkaline Battery Pack

The alkaline battery pack is a convenient way to keep the instrument running for extended periods beyond the battery life of the NiMH pack whenever circumstances warrant this need. Users can swap the NiMH battery pack for a special holder designed for AA size alkaline batteries very quickly in the field. The alkaline battery pack design prevents inadvertent charging, should the charger be plugged into the instrument.

Part Number: 4543-028

### **Warning!**

Do not attempt to replace the NiMh batteries in the rechargeable battery pack with alkaline batteries. An explosion could occur if the instrument is plugged into the wall charger. A non-rechargeable battery pack is available from Ludlum Measurements, Inc.



## 11.5 Check Source

Ludlum recommends a 10  $\mu\text{Ci}$   $^{137}\text{Cs}$  check source be used for verifying the detector response prior to each use. The source is encapsulated inside of a 2.5 cm x 2.5 mm (1.0 x 0.10 in.) plastic disk.

Part Number: 01-5231

**Note:** Ludlum also offers a 0.25  $\mu\text{Ci}$   $^{137}\text{Cs}$  source for countries with lower exempt criteria. This can be purchased under Part Number: 01-5723.

**Note:** Ludlum also offers other sources. Please contact us, one of our representatives, or visit [www.ludlums.com](http://www.ludlums.com) for more information.

## 11.6 Keyboard

A standard USB keyboard may be connected to the instrument via the USB port. This will allow the user to access menus and instrument functions by use of a keyboard instead of the pushbuttons. In addition, pressing “F1” on the keyboard will allow the user the ability to make changes to the instrument configuration without connecting to a computer.

Part Number: 2312289

**Note:** See Section 6 of this manual for details on how to use the keyboard with the Model 9DP.

**Section****12****Safety Considerations and Maintenance**

---

**12.1 Environmental Conditions for Normal Use**

Indoor or outdoor use

Temperature range of -20 to 40 °C (-4 to 104 °F)

Maximum relative humidity of less than 95% (non-condensing)

Pollution Degree 3 (as defined by IEC 664) (Occurs when conductive pollution or dry nonconductive pollution becomes conductive due to condensation. This is typical of industrial or construction sites.)

**12.1.1 High Humidity Disclosure****Description of the problem:**

Long-term exposure of the ion chamber to high humidity environments, typically greater than 60% relative humidity, can cause higher than normal readings in very low radiation fields.

**Ion chamber designed:**

Ion chambers measure very small electrical currents that are created as ionizing radiation passes through the ion chamber. The electronics inside the instrument, used to measure these electrical currents, are very sensitive to dust, vibration, heat, cold, and humidity and care must be taken when handling these instruments.

While Ludlum Measurements has been able to mitigate the majority of the issues through product design, we still require the user to follow special care instructions to help protect the instrument and ensure a long life.

**What challenges are faced by the user?**

During normal daily usage, humidity is not an issue; however, we recommend that the instrument be stored in a clean, dry environment when not in use to minimize long-term exposure to high humidity environments.

If an instrument is left exposed to a humid environment for a long period of time, the humidity will permeate the ion chamber and the ion chamber will eventually reach environmental equilibrium: the humidity inside the ion chamber will match the humidity outside the ion chamber.

If the humidity is relatively low, this is not an issue; however, if the humidity in the ion chamber exceeds approximately 60%, a phenomenon known as leakage current occurs.

In reality, leakage current is always present; however, leakage current remains relatively small and consistent in low humidity environments. As a result, this leakage current is compensated for during instrument calibration. At approximately 60% relative humidity, the humidity has a greater effect on the electronics and leakage current increases.

When higher leakage current occurs, the ion chamber current increases. The instrument cannot distinguish the difference between the leakage current and the current from ionizing radiation so all measured current is assumed to be the result of ionizing radiation.

The result is the user experiences higher background radiation readings than normal. On the plus side, once the instrument is exposed to a higher radiation field, the leakage current becomes negligible and the instrument will respond normally (within specified tolerances).

In a worst case scenario, if the instrument is exposed to high humidity for a very long period of time, permanent damage to the electronics may occur resulting in much larger than normal readings (typically a range or two higher than expected).

### **How does Ludlum Measurements deal with instruments reporting high background?**

If a customer returns an instrument for service due to high background issues, our service department will perform a "vent and bake" procedure:

- depressurize the chamber (if not already depressurized prior to being returned to our facility)
- remove the valve core from the ion chamber fill valve

- bake the ion chamber to remove the moisture from the ion chamber and electrometer board

In most cases, the "vent and bake" procedure will resolve the high background issues. In rare cases, exposure to high humidity can cause permanent damage to the electronics requiring electrometer board replacement.

### How can this be prevented?

While Ludlum Measurements continues to research possible solutions to mitigate the humidity issue including new chamber coatings and plastics, we ask that our customers continue to store the instrument in a low humidity environment when not in use.

## 12.2 Warning Markings and Symbols

### Caution!

The operator or responsible body is cautioned that the protection provided by the equipment may be impaired if the equipment is used in a manner not specified by Ludlum Measurements, Inc.

The Model 9DP Ion Chamber is marked with the following symbols:



**CAUTION** (per ISO 3864, No. B.3.1) – designates hazardous live voltage and risk of electric shock. During normal use, internal components are hazardous live. This instrument must be isolated or disconnected from the hazardous live voltage before accessing the internal components. This symbol appears on the front panel. **Note the following precautions:**

**Warning!**

The operator is strongly cautioned to take the following precautions to avoid contact with internal hazardous live parts that are accessible using a tool:

1. Turn the instrument power OFF and remove the batteries.
2. Allow the instrument to discharge before accessing internal components. The 90-volt wall voltage will require several hours to discharge. It may be discharged using a standard multimeter set to the VDC setting.

**Caution!**

Verify instrument voltage input rating before connecting to a power converter. If the wrong power converter is used, the instrument and/or power converter could be damaged.



The “crossed-out wheellie bin” symbol notifies the consumer that the product is not to be mixed with unsorted municipal waste when discarding; each material must be separated. The symbol is placed on the battery compartment lid. See Section 14, “Recycling,” for further information.



The “CE” mark is used to identify this instrument as being acceptable for use within the European Union.

**CAUTION!**

While designed to meet regulations, the pressurized chamber of the Model 9DP and 9DP\* *could* potentially explode if dropped or heated excessively (above 80 °C or 176 °F). This is not likely to happen. In drop testing onto concrete, the chamber has survived drops of up to 11.2 m (37 ft). Tests have also shown that the Model 9DP or 9DP\* instrument housing will likely contain the explosion. Users are however cautioned to take adequate precautions to avoid these kinds of impacts or temperatures.

## 12.3 Cleaning and Maintenance Precautions

Instrument maintenance consists of keeping the instrument clean and periodically checking the batteries and calibration. The Model 9DP may be cleaned externally with a damp cloth, using only water as the wetting agent. Do not immerse the instrument in any liquid. Observe the following precautions when cleaning or performing maintenance on the instrument:

1. Turn the instrument OFF and remove the batteries.
2. Wait one hour for the supervisor power to drop below required levels. After one hour has passed, the can may be removed from the chassis.

**Note:** Before proceeding, the user should wear static protection to prevent accidental static discharge from damaging electronics.

3. Allow the instrument to sit for one minute before cleaning the exterior or accessing any internal components for maintenance.
4. Discharge the wall voltage using a standard multimeter set to the VDC setting, or allow several hours for discharge if the instrument is opened.
5. Disconnect the ribbon cable from the high-voltage board.
6. Using a multimeter, measure the DC voltage between Pins 5 and 9 of the ribbon connector mounted on the high-voltage board. Continue to measure the voltage between the two pins until the voltage reads approximately 0 V.
7. Use a low-pressure air source or a non-static brush to gently clear away any contamination.

## 12.4 Maintenance

### RECALIBRATION

Recalibration should be accomplished after maintenance or adjustments have been performed on the instrument. Recalibration is not normally required following instrument cleaning or battery replacement.

**Note:**

Ludlum Measurements, Inc. recommends recalibration at intervals no greater than one year. Check the appropriate regulations to determine required recalibration intervals.

Ludlum Measurements offers a full-service repair and calibration department. We not only repair and calibrate our own instruments, but also most other manufacturers' instruments. Calibration procedures are available upon request for customers who choose to calibrate their own instruments.

If the instrument is stored in an area with high humidity, rapid changes in temperature should be avoided. A storage cabinet with a light bulb inside is one means of keeping the instrument in a slightly warmer than ambient temperature environment, in order to prevent problems from rapid changes in temperature and humidity.

**PRESSURIZED CHAMBER**

Both the Model 9DP and the 9DP\* are manufactured with an internal 230 cm<sup>3</sup> pressure chamber, pressurized to 9 atm (117 psig  $\pm$ 5 psig) with an ultra-high purity nitrogen and argon gas mixture. Due to the unique chamber design, Ludlum Measurements is bound to the U.S. Department of Transportation (DOT) regulations for Hazardous Material related to shipping requirements of a non-DOT specified pressure vessel. Please see the Transportation Special Permit in section 10.2 regarding authorizing shipment of the pressurized chamber. In compliance to Paragraph 7.b.(1) of this Special Permit, the service life of this pressure chamber has been specified at seven years from the date of manufacture.

**Note:**

Any Model 9DP or Model 9DP\* that has a pressure chamber older than seven years in age will need to have the pressure chamber replaced before it is shipped pressurized.

Instruments serviced by Ludlum Measurements are routinely inspected, and the customer will be notified if the ion chamber needs to be replaced prior to re-calibration. For more information, contact Ludlum Measurements or your local sales representative.

**Section**

**13**



Ludlum Measurement Model 9DP Electromagnetic Compatibility Test Report

**Certificate of Compliance**

**Applicant:** Ludlum Measurement  
501 Oak Street  
Sweetwater, TX 79556

**Model:** 9DP  
**Serial Number:** 25001682  
**Project Number:** 11351-10

The Ludlum Measurement Model 9DP was tested utilizing the following documents and found to be in compliance with the required criteria on the indicated test date.

EN 61326-1:2006		
<b>Radiated Emissions</b>		
CISPR 11: 2003	Group1, Class A	August 2, 2010
<b>Immunity</b>		
IEC 61000-4-2: 2001	4kV/8kV, Criteria B	August 24, 2010
IEC 61000-4-3: 2002	80MHz-1GHz, 3V/m, Criteria A 1.4GHz-2GHz, 3V/m, Criteria A 2GHz-2.7GHz, 1V/m, Criteria A	September 10, 2010

I, Jeffrey A. Lenk, for Professional Testing (EMI), Inc., being familiar with the Electromagnetic Compatibility rules and test procedures, have reviewed the test setup, measured data and this report. I believe them to be true and accurate.

Jeffrey A. Lenk  
President



Lab Code 200061-0

This report has been reviewed and accepted by Ludlum Measurement. The undersigned is responsible for ensuring that the Ludlum Measurement Model 9DP will continue to comply with the applicable rules.

Ludlum Measurement Representative

11351-10



## Section

## 14

## Recycling

Ludlum Measurements, Inc. supports the recycling of the electronics products it produces for the purpose of protecting the environment and to comply with all regional, national, and international agencies that promote economically and environmentally sustainable recycling systems. To this end, Ludlum Measurements, Inc. strives to supply the consumer of its goods with information regarding reuse and recycling of the many different types of materials used in its products. With many different agencies – public and private – involved in this pursuit, it becomes evident that a myriad of methods can be used in the process of recycling. Therefore, Ludlum Measurements, Inc. does not suggest one particular method over another, but simply desires to inform its consumers of the range of recyclable materials present in its products, so that the user will have flexibility in following all local and federal laws.

The following types of recyclable materials are present in Ludlum Measurements, Inc. electronics products and should be recycled separately. The list is not all-inclusive, nor does it suggest that all materials are present in each piece of equipment: batteries, glass, aluminum and stainless steel, circuit boards, plastics, and liquid crystal display (LCD).

Ludlum Measurements, Inc. products, which have been placed on the market after August 13, 2005, have been labeled with a symbol recognized internationally as the “crossed-out wheelie bin.” This notifies the consumer that the product is not to be mixed with unsorted municipal waste when discarding; each material must be separated. The symbol will be placed near the AC receptacle, except for portable equipment where it will be placed on the battery lid.

The symbol appears as such:

